



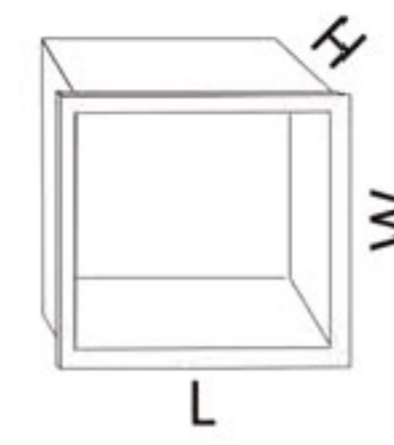
Stainless Niche
Paper Holder
Shower Shelf





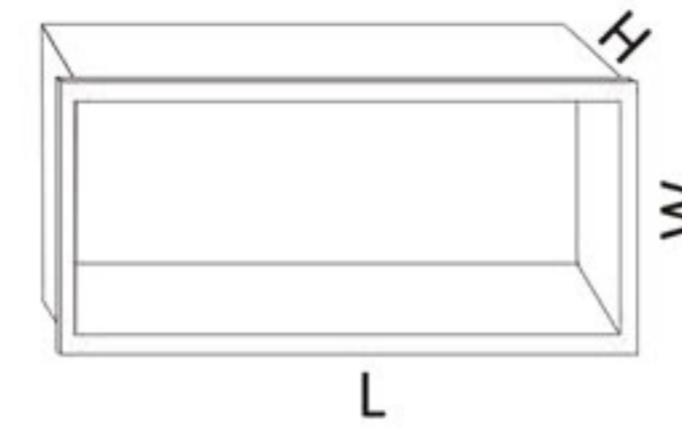
BAL LED Stainless Steel Niche

1 mm stainless steel 304 with 15mm flange
 Surface: Brushed, polished, White, Matte black, ORB, Black bronze, Gold



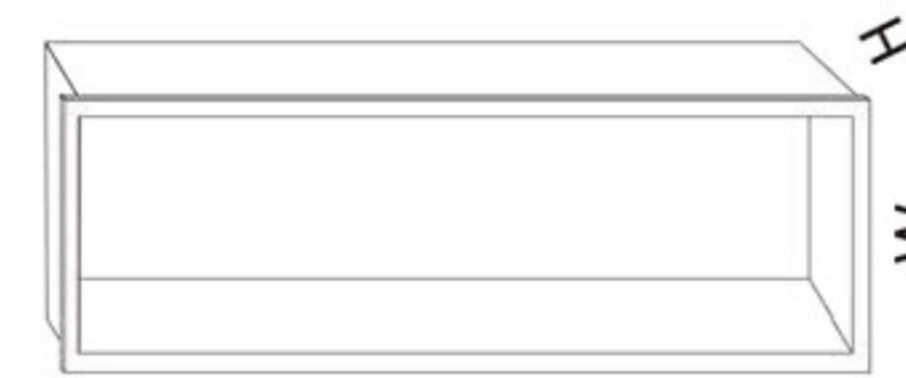
300x300x70
 NO. BAL-30307

300x300x100
 NO. BAL-303010



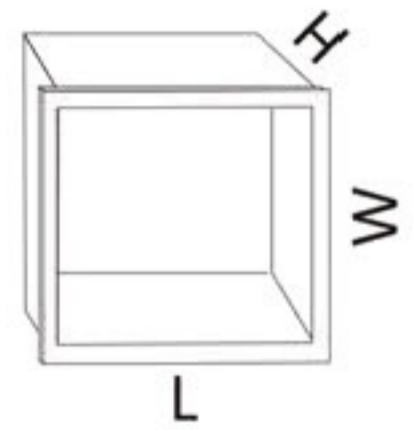
300x600x70
 NO. BAL-30607

300x600x100
 NO. BAL-306010



300x900x70
 NO. BAL-30907

300x900x100
 NO. BAL-30910

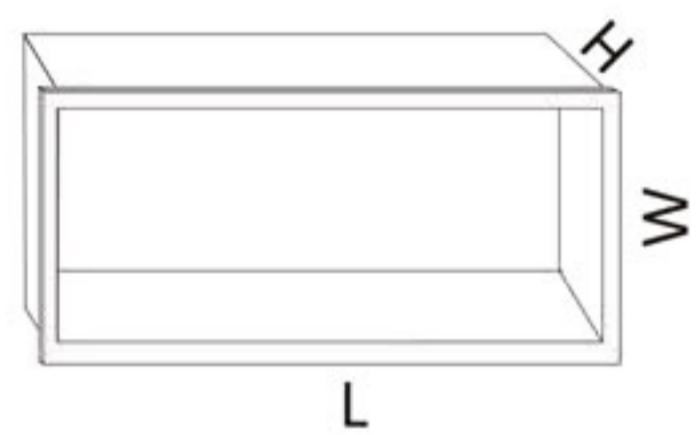


300x300x70
 Parts No: BA-30307

300x300x100
 Parts No: BA-303010

Stainless Steel Niche

1 mm stainless steel 304 with 15mm flange
 Surface: Brushed, polished, White, Matte black, ORB, Black bronze, Gold



300x600x70
 Parts No: BA-30607

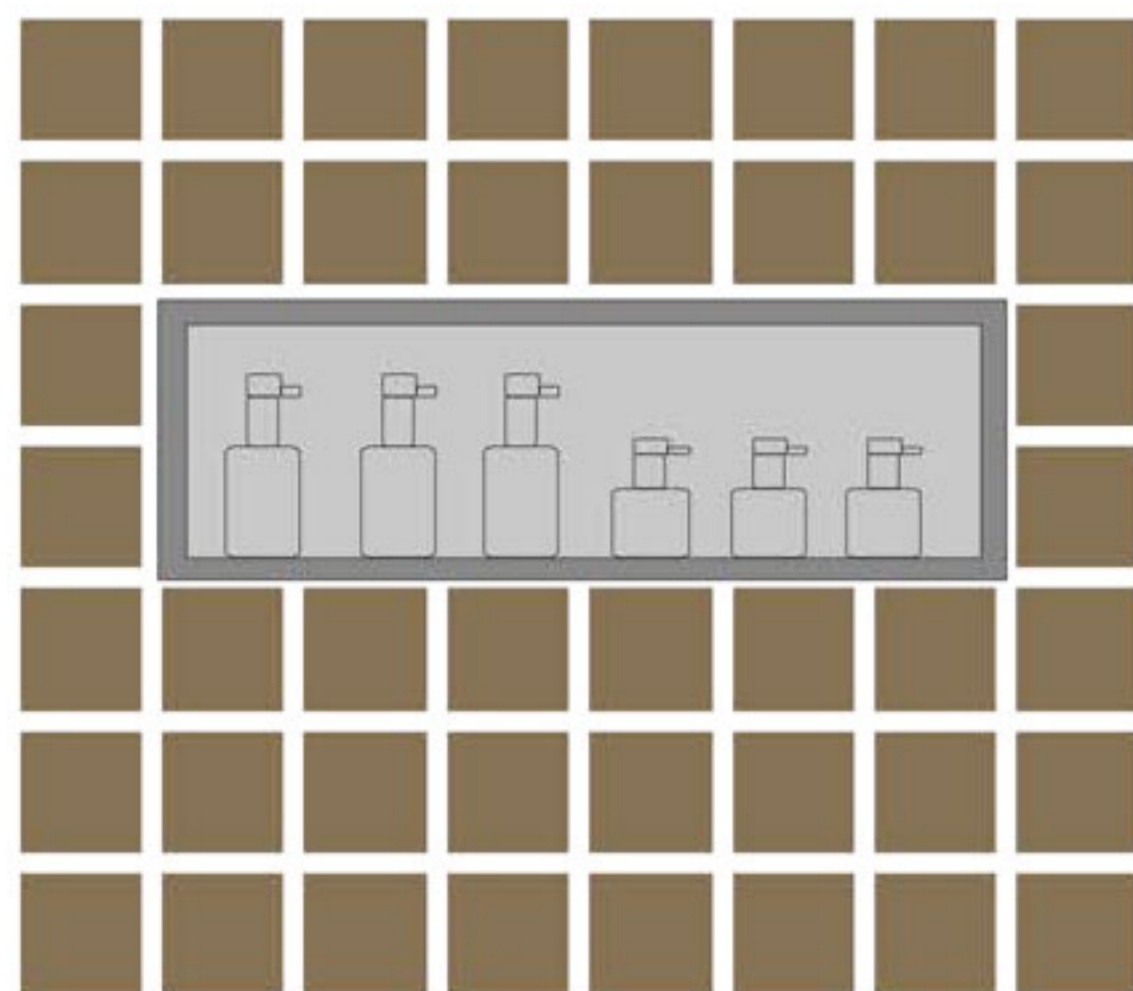
300x600x100
 Parts No: BA-306010



300x900x70
 Parts No: BA-30907

300x900x100
 Parts No: BA-309010

BA

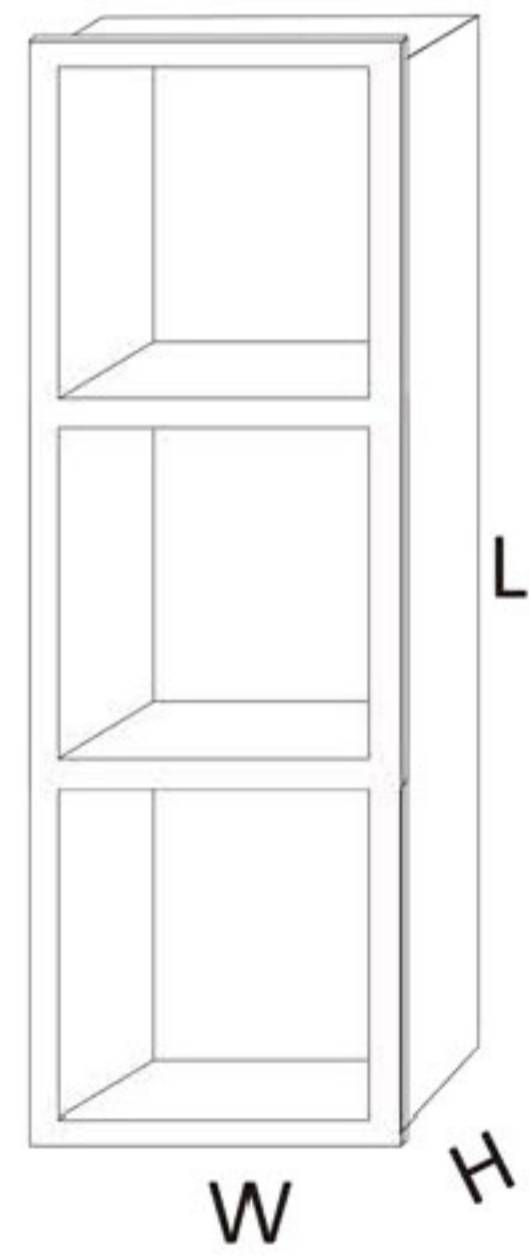
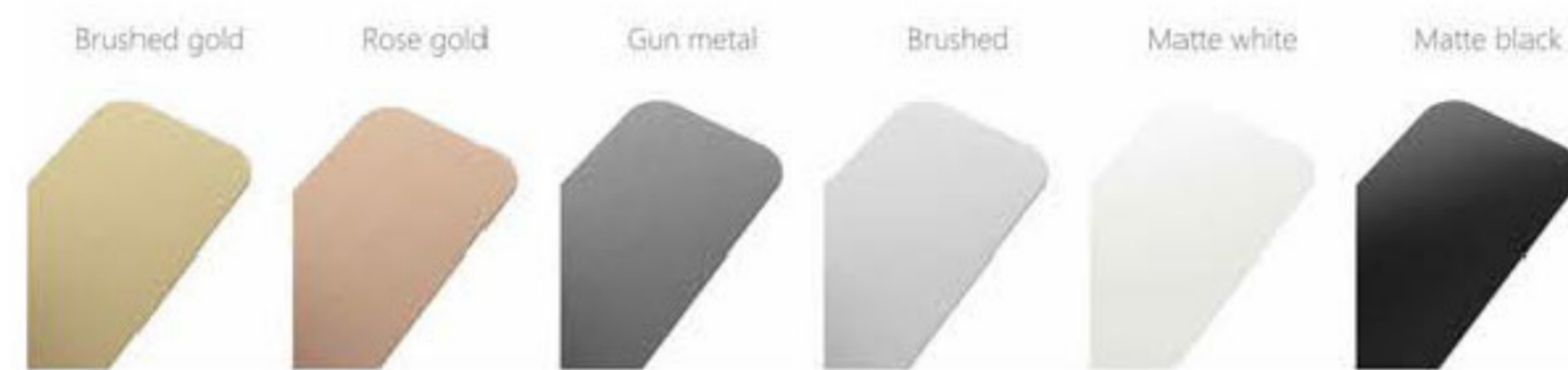




Stainless Steel Niche



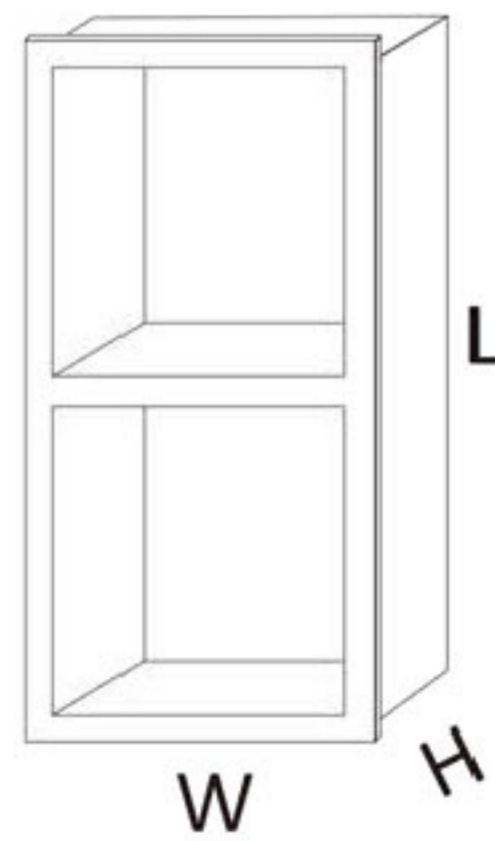
1 mm stainless steel 304 with 15mm flange
 Surface: Brushed, polished, White, Matte black, ORB, Black bronze, Gold



BA3

900x150x70
 Parts No: BA3-90157
 900x150x100
 Parts No: BA3-901510

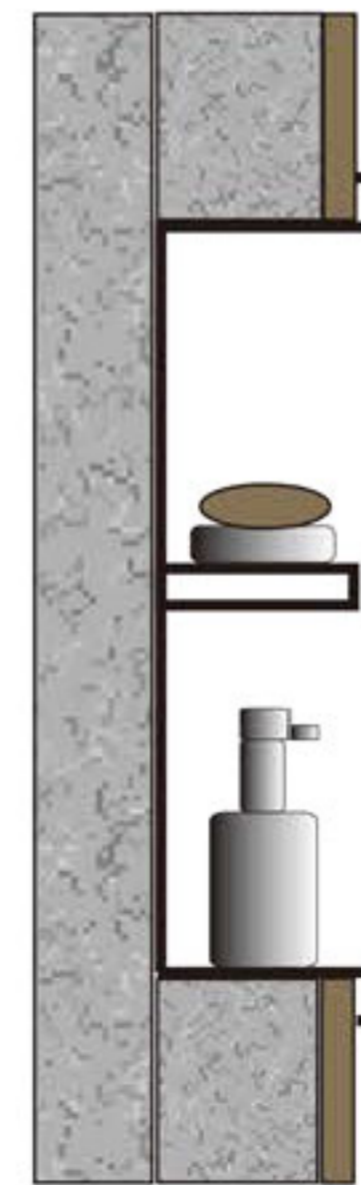
900x300x70
 Parts No: BA3-90307
 900x300x100
 Parts No: BA3-903010



BA2

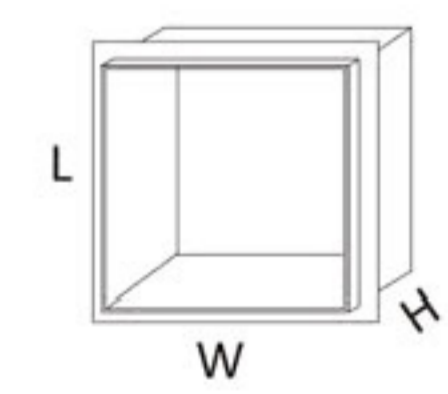
600x150x70
 Parts No: BA2-60157
 600x150x100
 Parts No: BA2-601510

600x300x70
 Parts No: BA2-60307
 600x300x100
 Parts No: BA2-603010





1 mm stainless steel 304 with 15mm flange
 Surface: Brushed, polished, White, Matte black, ORB, Black bronze, Gold



300x300x70
 Parts No: BTF-30307
300x300x100
 Parts No: BTF-303010



600x300x70
 Parts No: BTF-60307
600x300x100
 Parts No: BTF-603010



900x300x70
 Parts No: BTF-90307
900x300x100
 Parts No: BTF-903010



BTF





Stainless Steel Niche

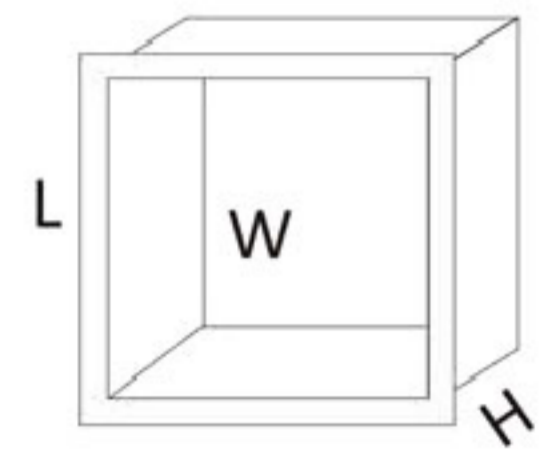
1 mm stainless steel 304 with 15mm flange
 Surface: Brushed, polished, White, Matte black, ORB, Black bronze, Gold



BTI

900x300x70
 Parts No: BTI-90307

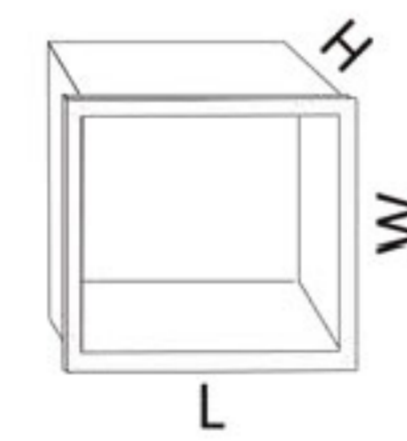
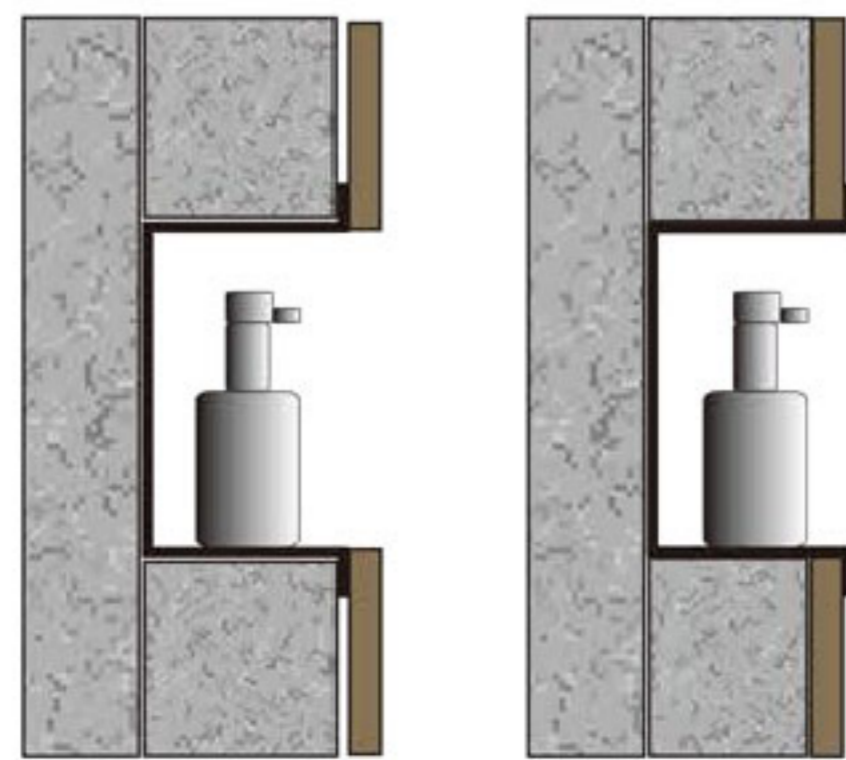
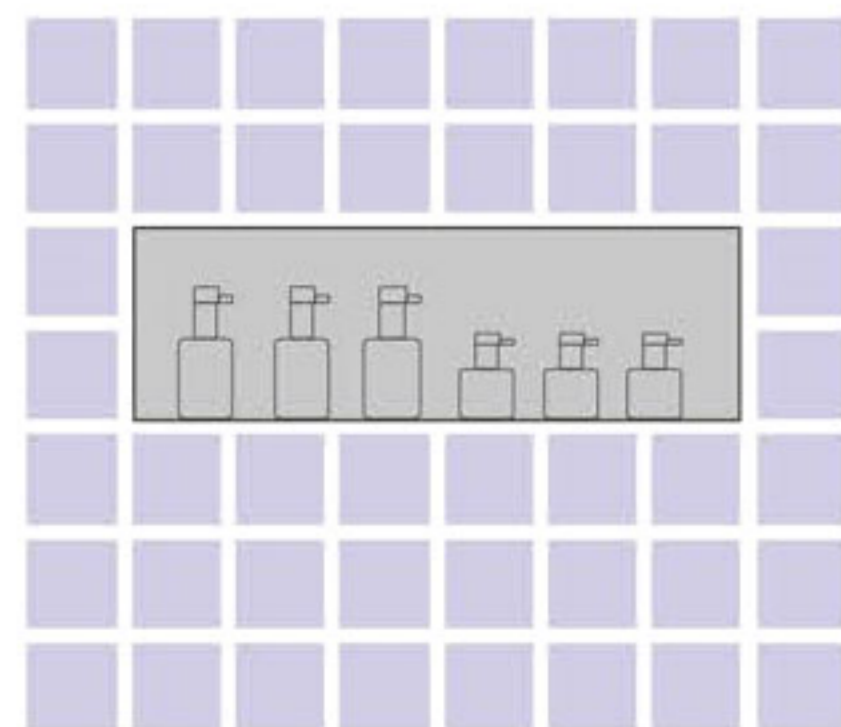
900x300x100
 Parts No: BTI-903010



300x300x70
 Parts No: BTI-30307
 300x300x100
 Parts No: BTI-303010



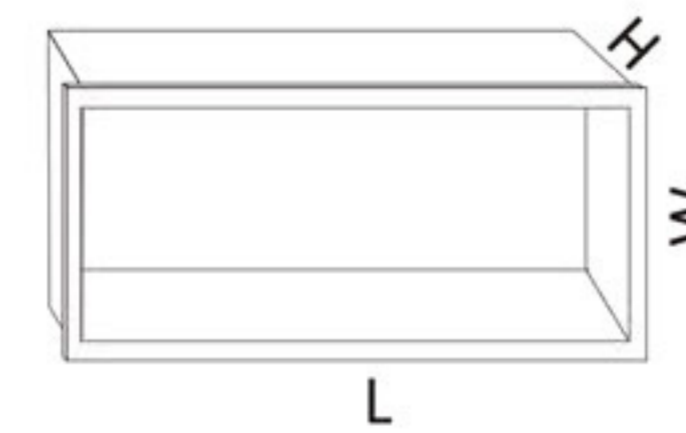
600x300x70
 Parts No: BTI-60307
 600x300x100
 Parts No: BTI-603010



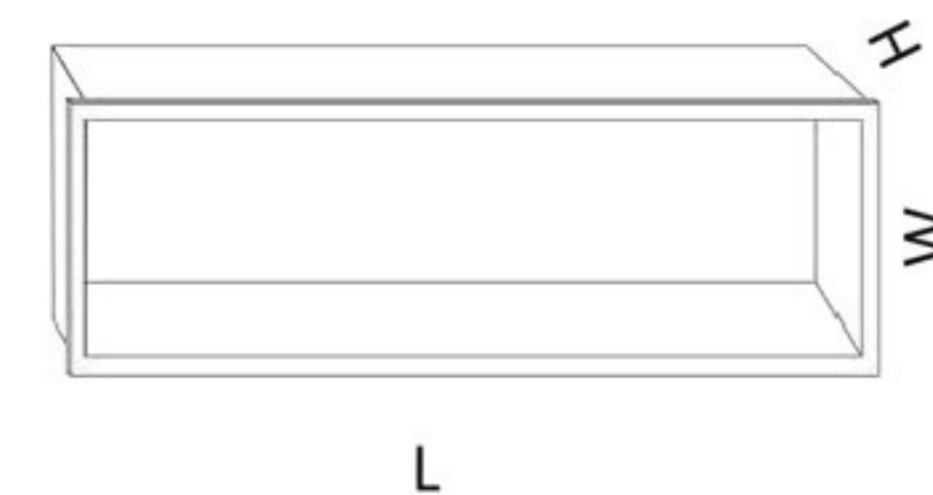
BTIC

300x300x70
 NO. BTIC-30307

300x300x100
 NO. BTIC-303010



300x600x70
 NO. BTIC-30607
 300x600x100
 NO. BTIC-306010



300x900x70
 NO. BTIC-30907
 300x900x100
 NO. BTIC-30910

LED Stainless Steel Niche

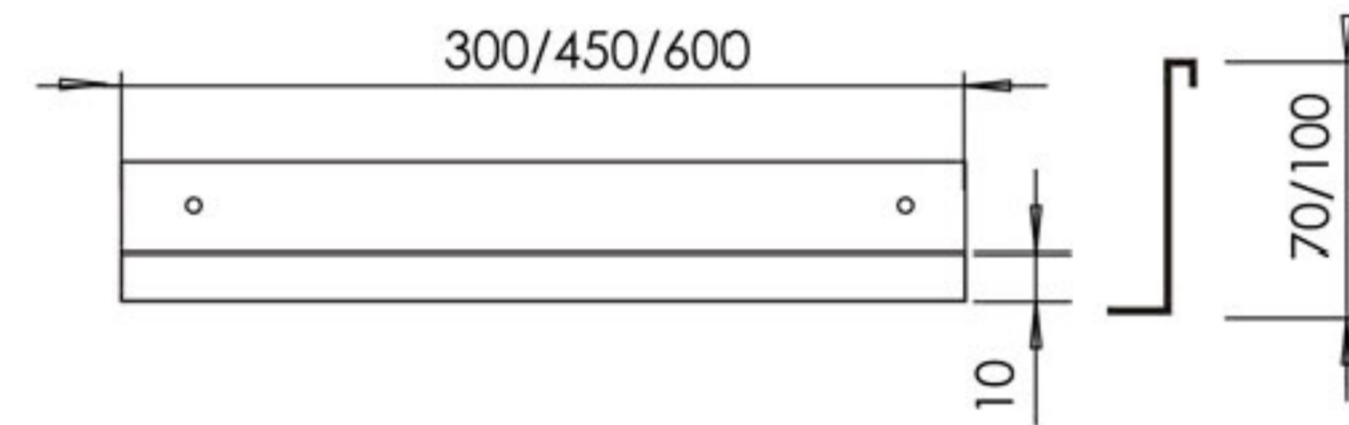
1 mm stainless steel 304 with 15mm flange
 Surface: Brushed, polished, White, Matte black, ORB, Black bronze, Gold



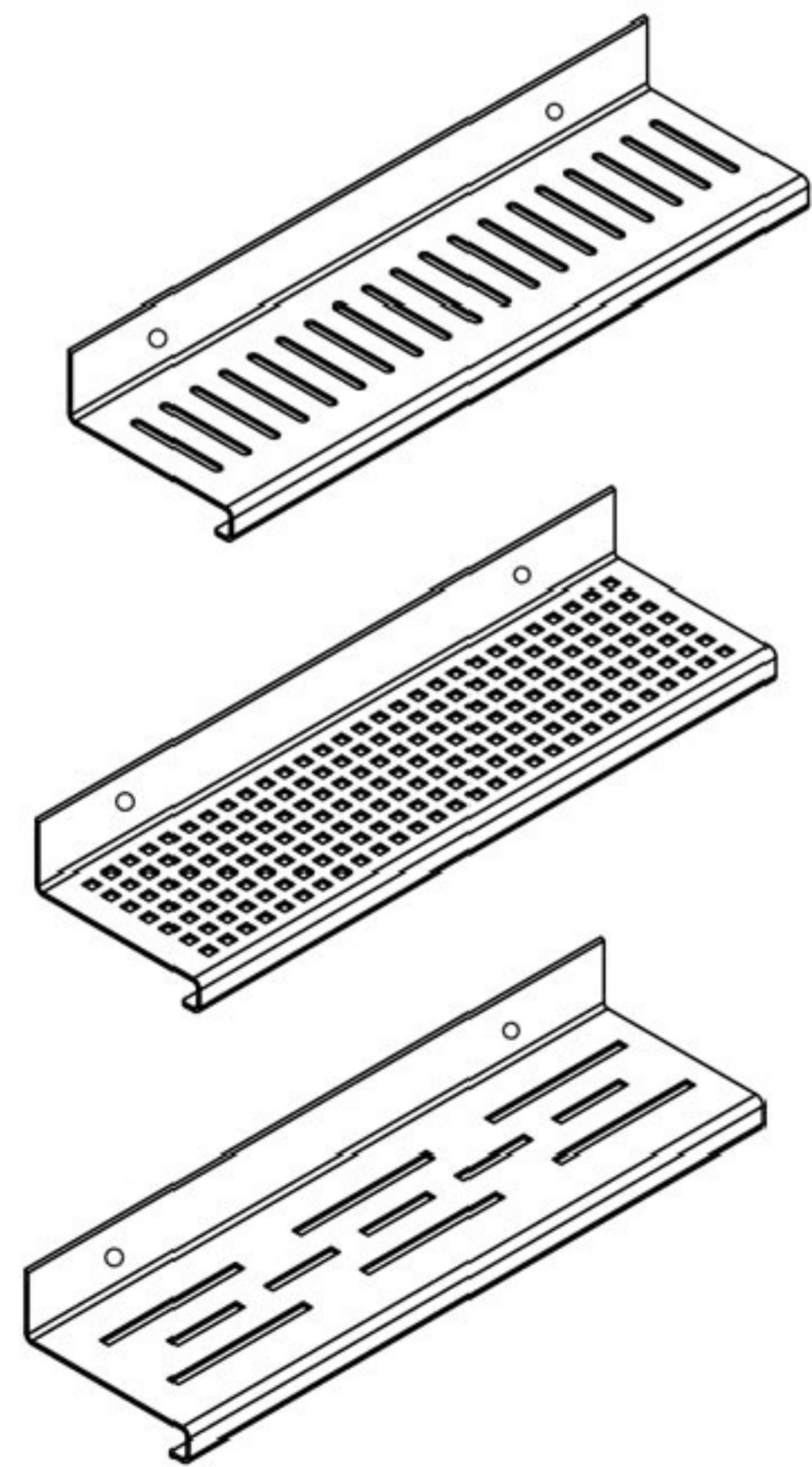


Linear shelf

Surface: Brushed, polished, White, Matte black,
ORB, Black bronze, Gold
1.5mm stainless steel 304



Order Model: LIS



300x70(12")
Parts No: LIS-30070G20

450x70(18")
Parts No: LIS-45070G20

600x70(24")
Parts No: LIS-60070G20

300x70(12")
Parts No: LIS-30070G03

450x70(18")
Parts No: LIS-45070G03

600x70(24")
Parts No: LIS-60070G03

300x70(12")
Parts No: LIS-30070G01

450x70(18")
Parts No: LIS-45070G01

600x70(24")
Parts No: LIS-60070G01

300x100(12")
Parts No: LIS-3100100G20

450x100(18")
Parts No: LIS-450100G20

600x100(24")
Parts No: LIS-600100G20

300x100(12")
Parts No: LIS-300100G03

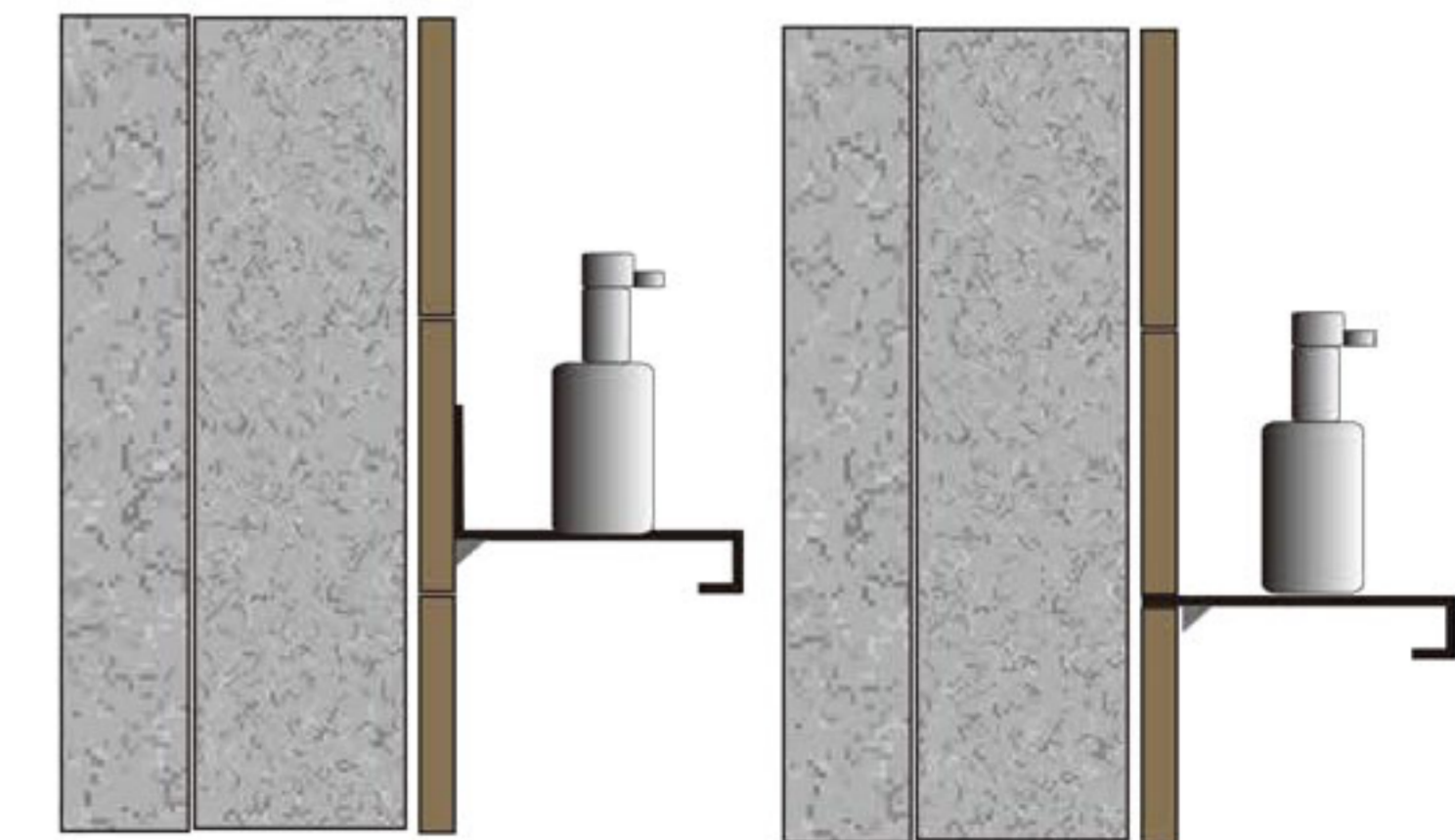
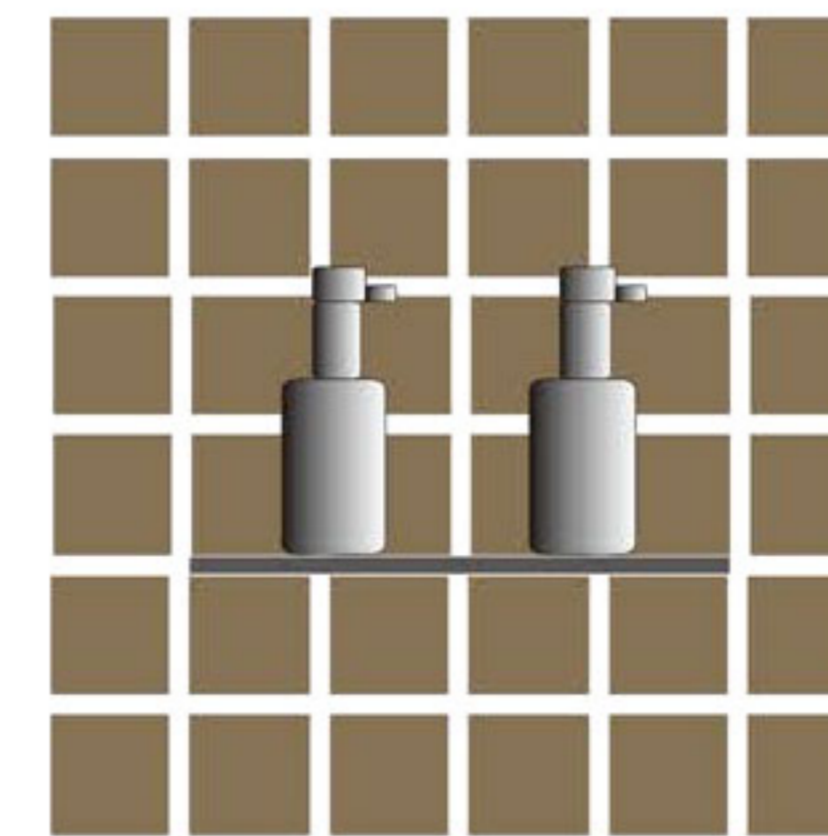
450x100(18")
Parts No: LIS-450100G03

600x100(24")
Parts No: LIS-600100G03

300x100(12")
Parts No: LIS-3100100G01

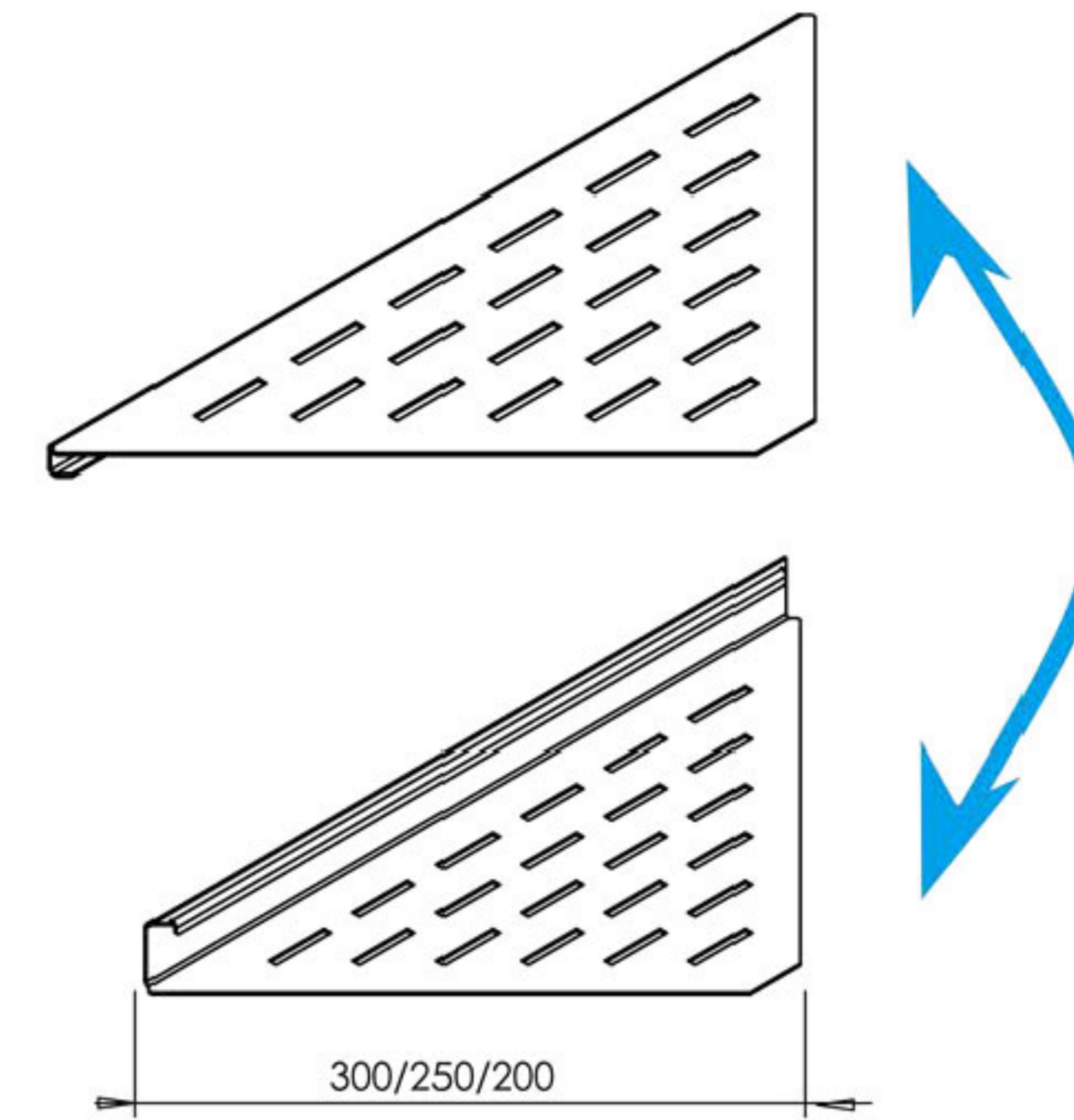
450x100(18")
Parts No: LIS-450100G01

600x100(24")
Parts No: LIS-600100G01



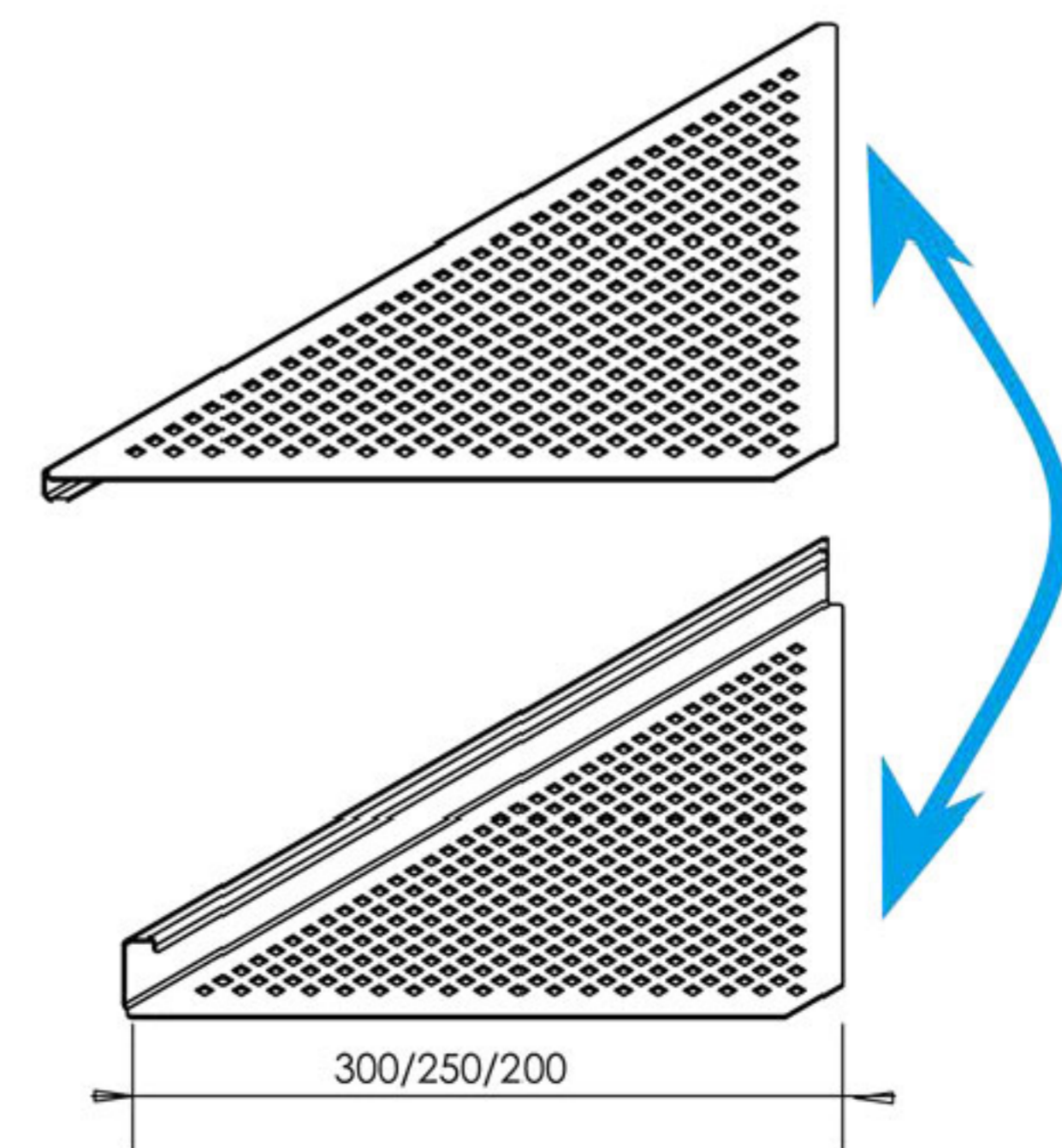


CORNER SHELF



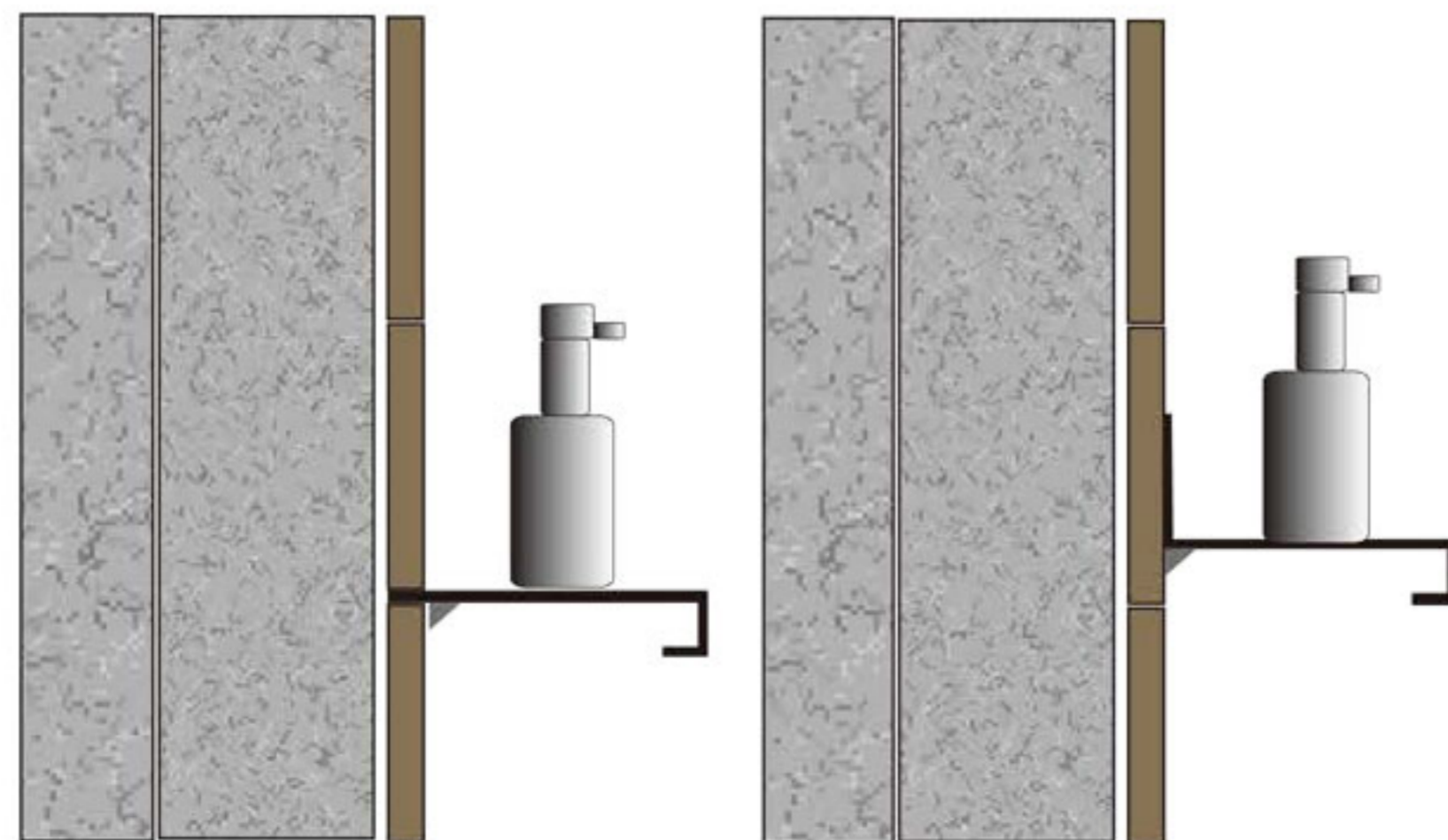
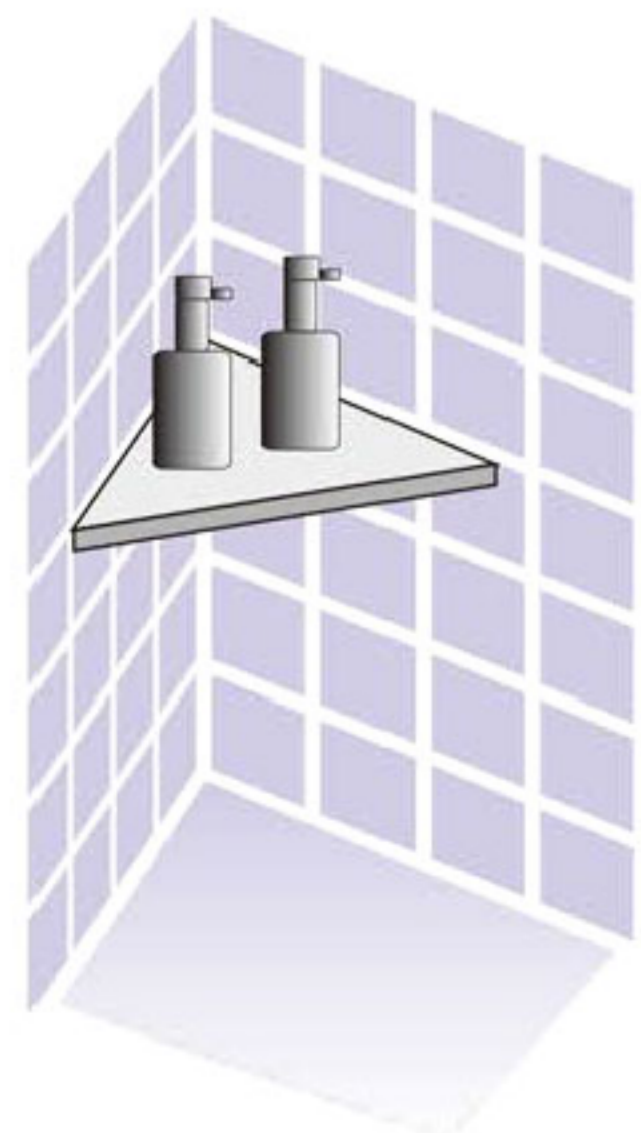
Order Model: COS

- 300x300(12")
Parts No: COS-30G01
- 250x250(10")
Parts No: COS- 25G01
- 200x200(8")
Parts No: COS-20G01



Order Model: COS

- 300x300(12")
Parts No: COS-30G03
- 250x250(10")
Parts No: COS-25G03
- 200x200(8")
Parts No: COS-20G03



ZBM4FUTURE Lda

Add: Quinta Das Rebelas Rua c 1G, 2830-222
Barreiro, Portugal
Tel: 00351212165157
Tel: 00351212165157



Paper Holder

Order Model: SBX01

Size: 720x195x124mm

Cut hole: 665x140x125mm

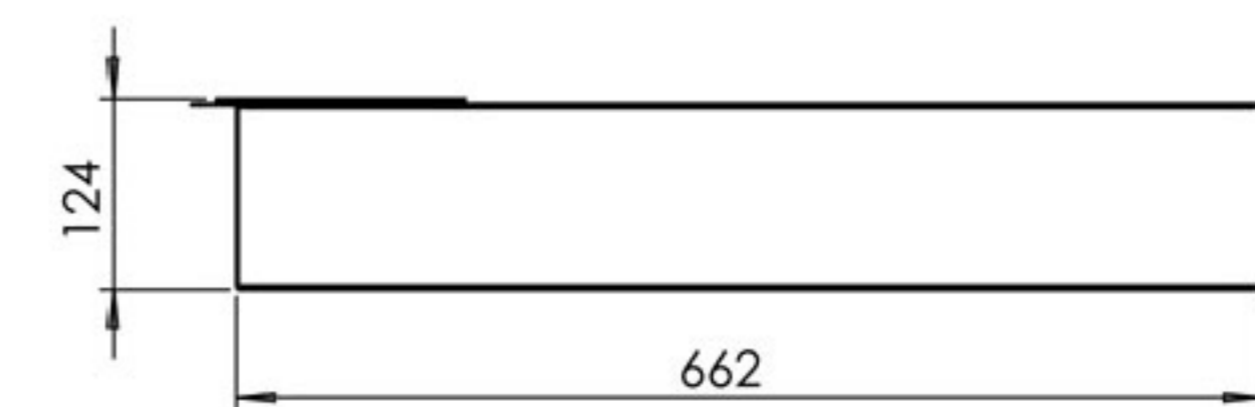
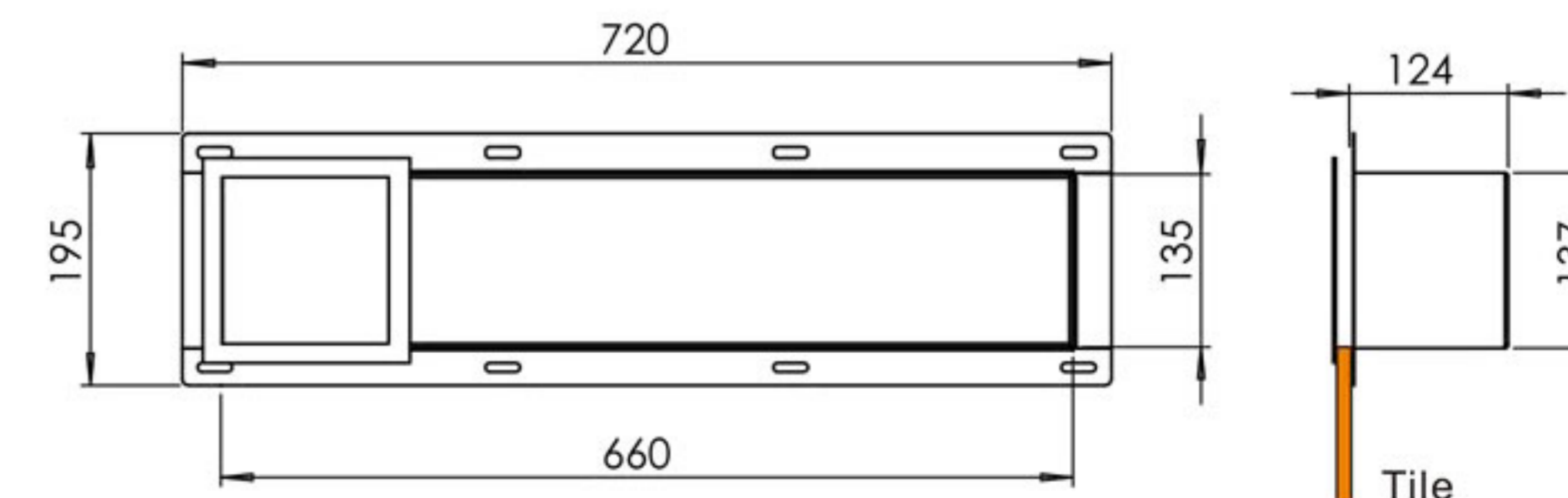
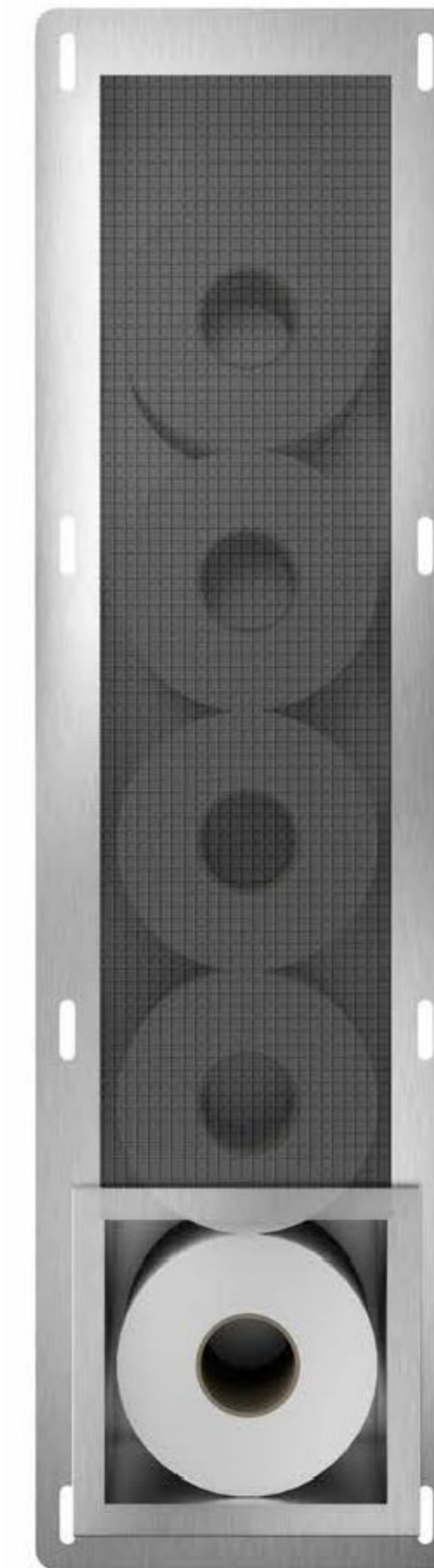
High quality 304 stainless steel

1.2mm box base, 2.5mm cover

6 pc toilet paper

Finish: brushed, mat-black, pearl white

10 years limited warranty

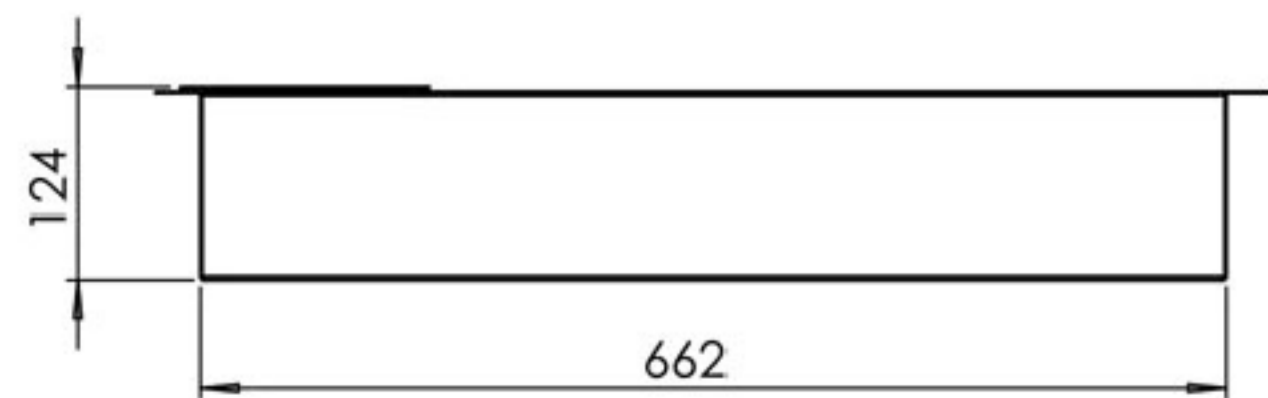
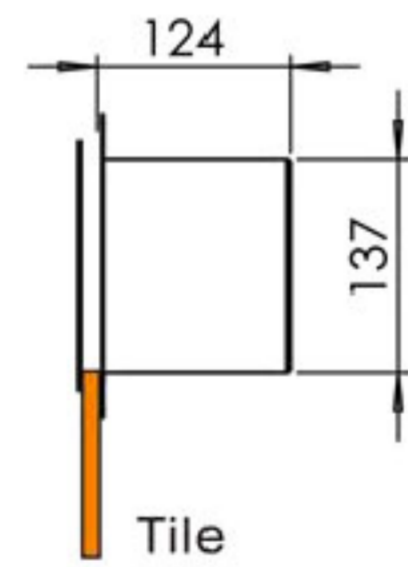
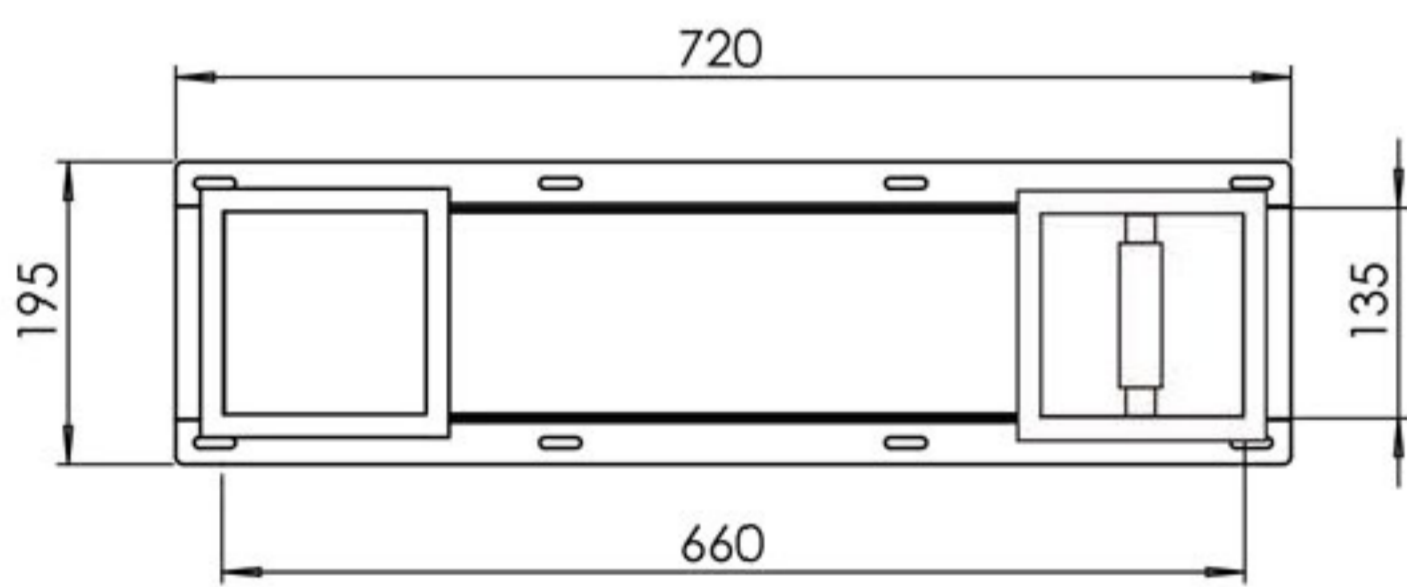


Paper Holder

Order Model: SBX03

Size: 720x195x124mm
Cut hole: 665x140x125mm

High quality 304 stainless steel
1.2mm box base, 2.5mm cover
6 pc toilet paper
Finish: brushed, mat-black, pearl white
10 years limited warranty

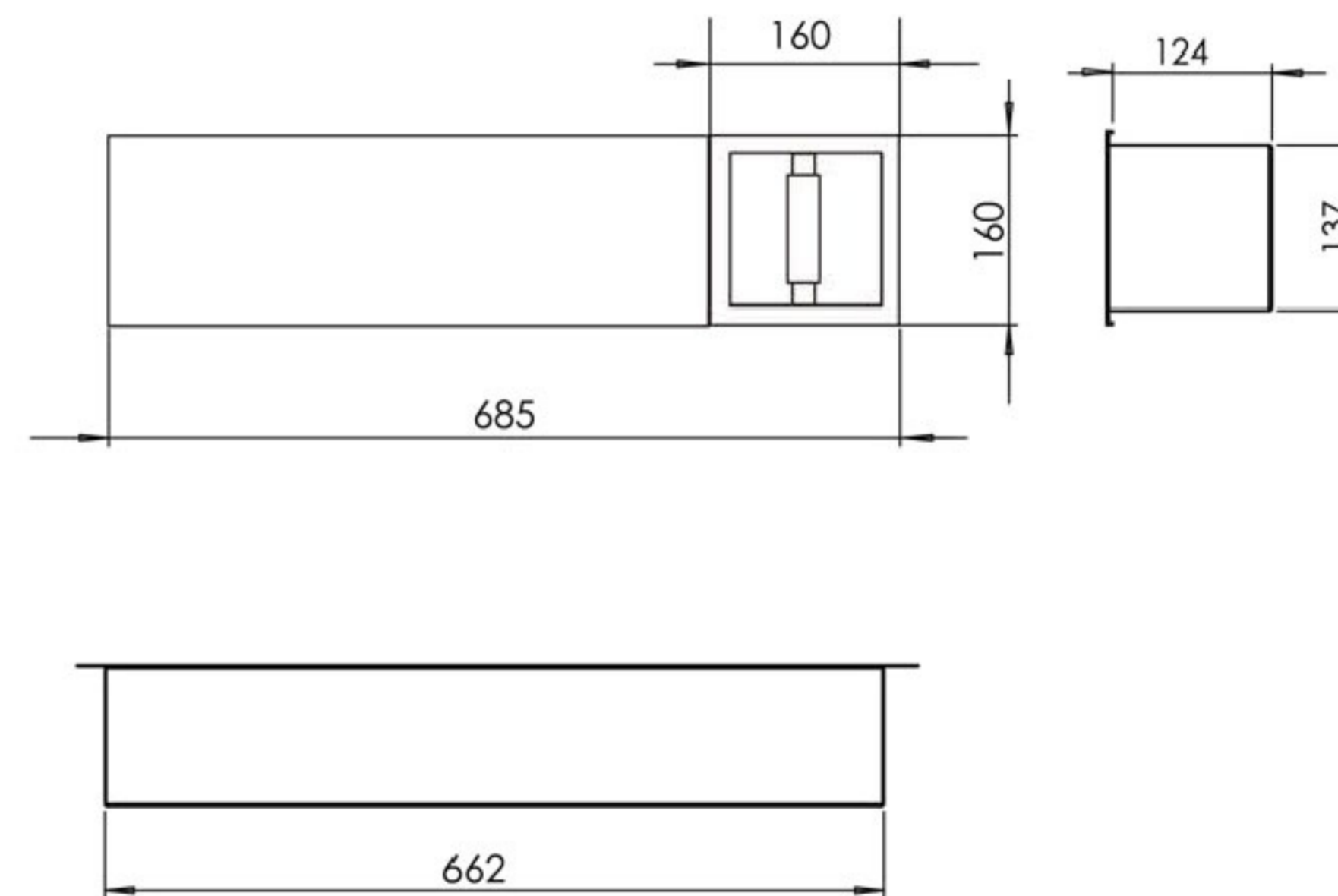


Paper Holder

Order Model: SBX04

Size: 720x195x124mm
Cut hole: 665x140x125mm

High quality 304 stainless steel
1.2mm box base, 1.2mm cover
1pc toilet paper, toilet brush holder
Finish: brushed, mat-black, pearl white
10 years limited warranty



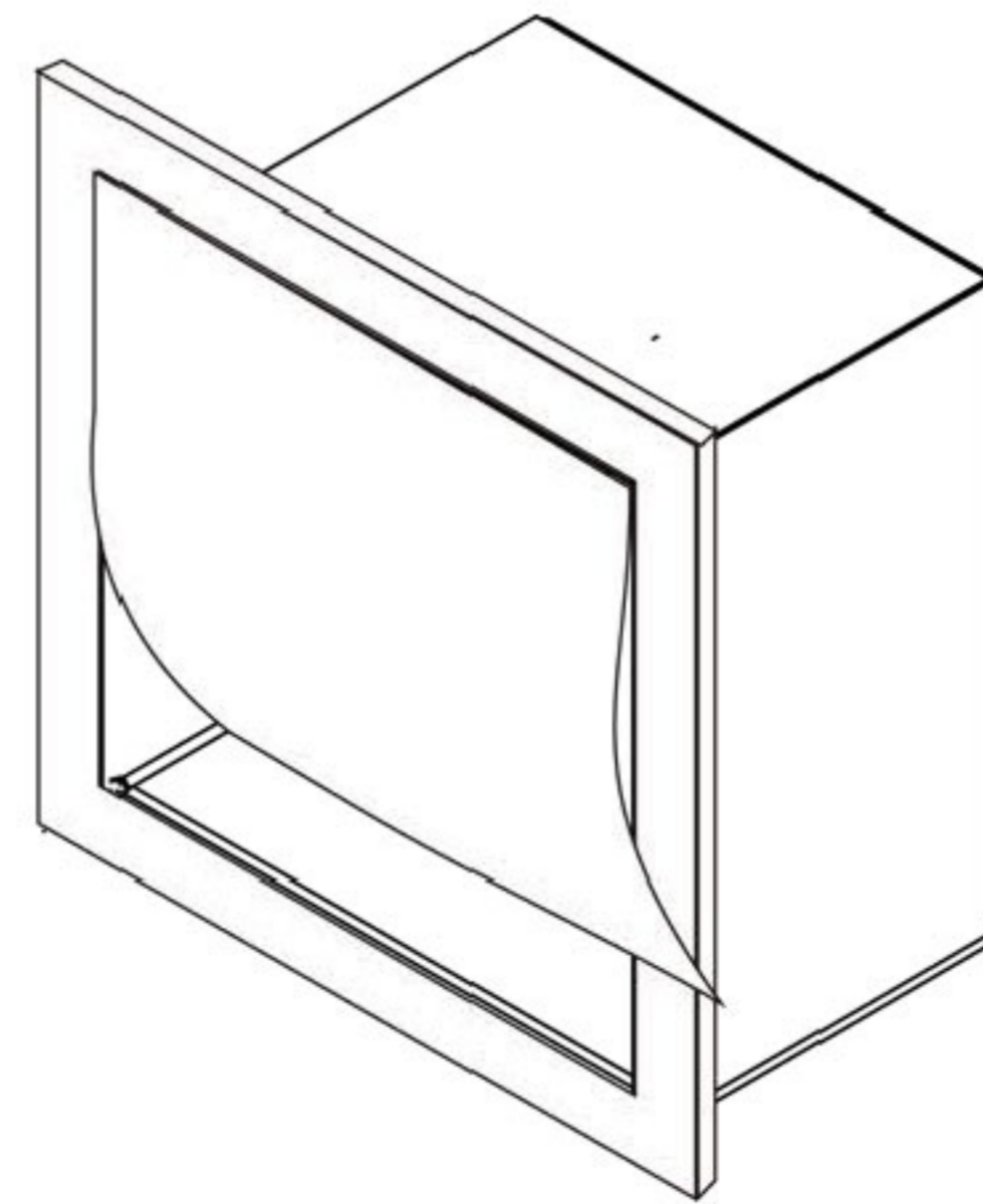
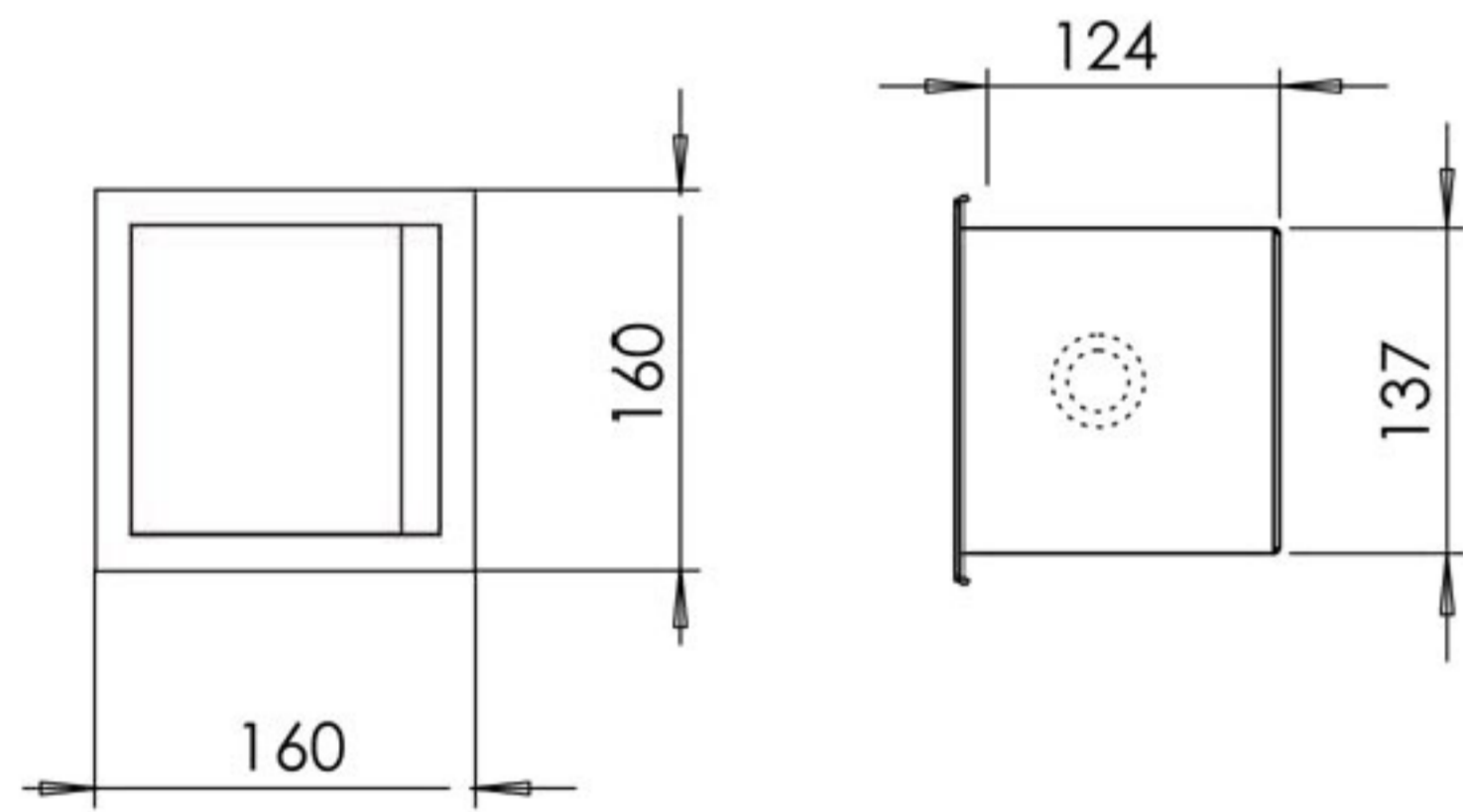
Paper Holder



Order Model: SBX06

Size: 160x160x124mm
Cut hole: 140x140x126mm

High quality 304 stainless steel
1.2mm box base, 1.2mm cover
1pc toilet paper,
Removed core rod
Finish: brushed, mat-black, pearl white
10 years limited warranty

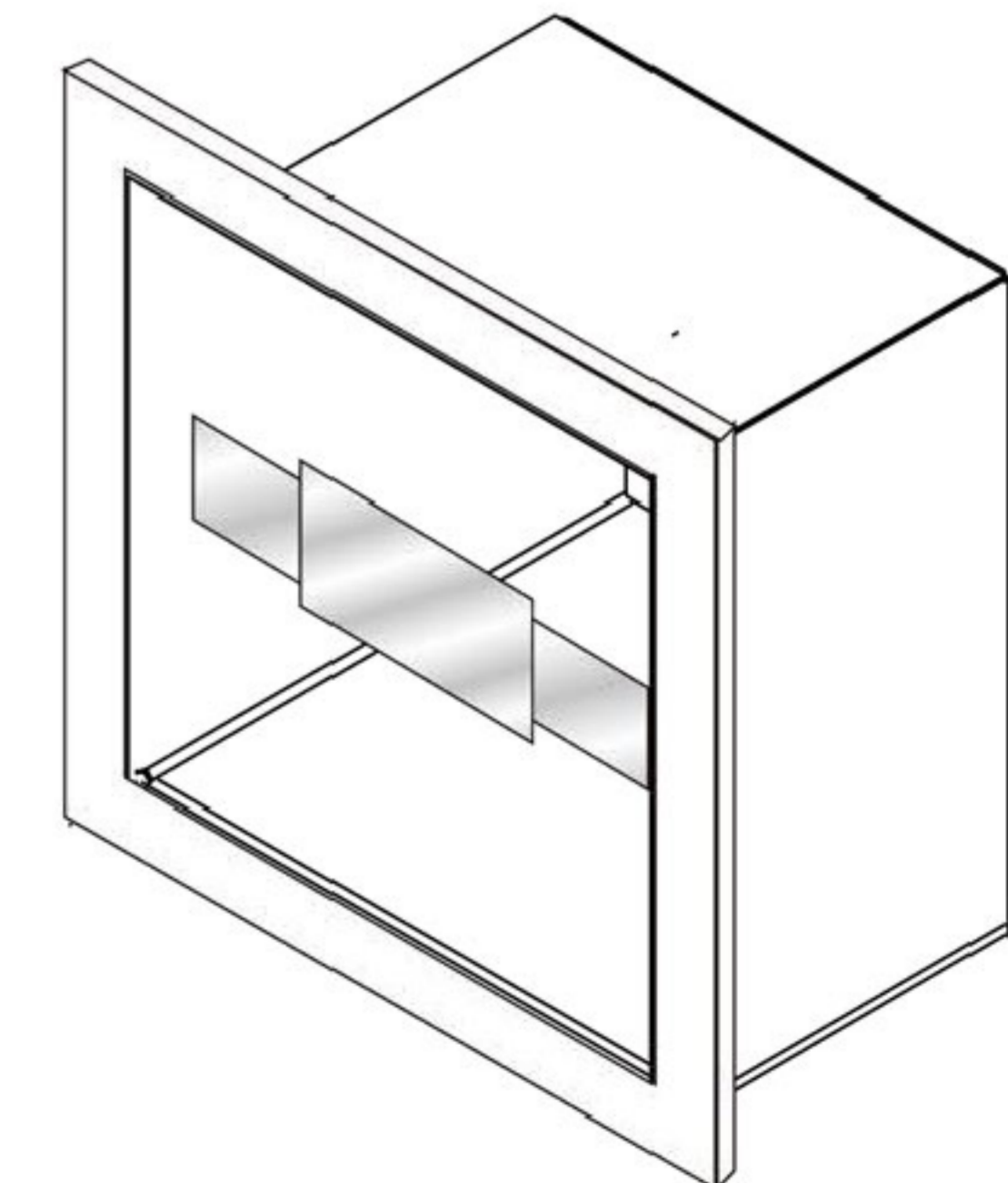
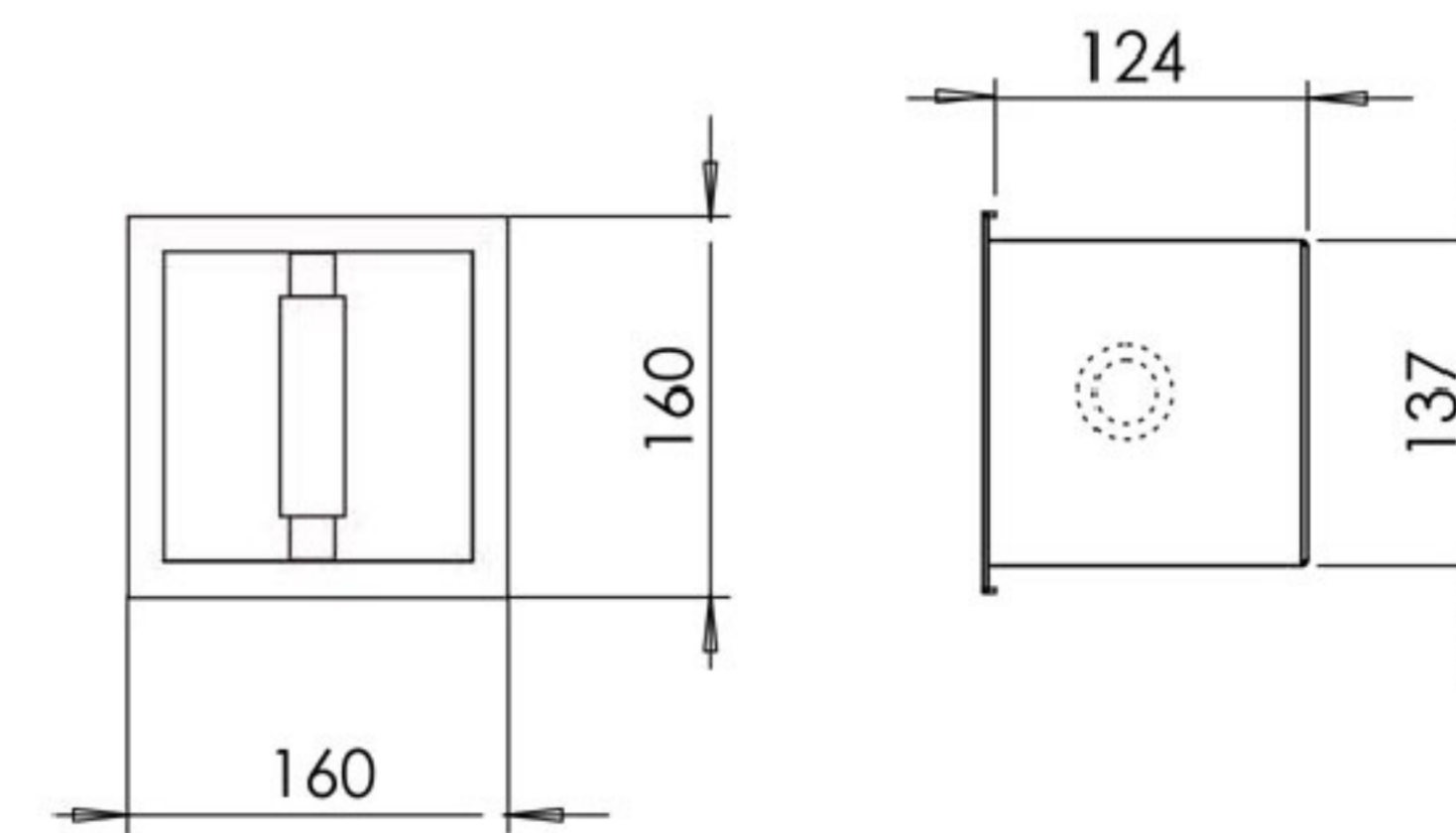
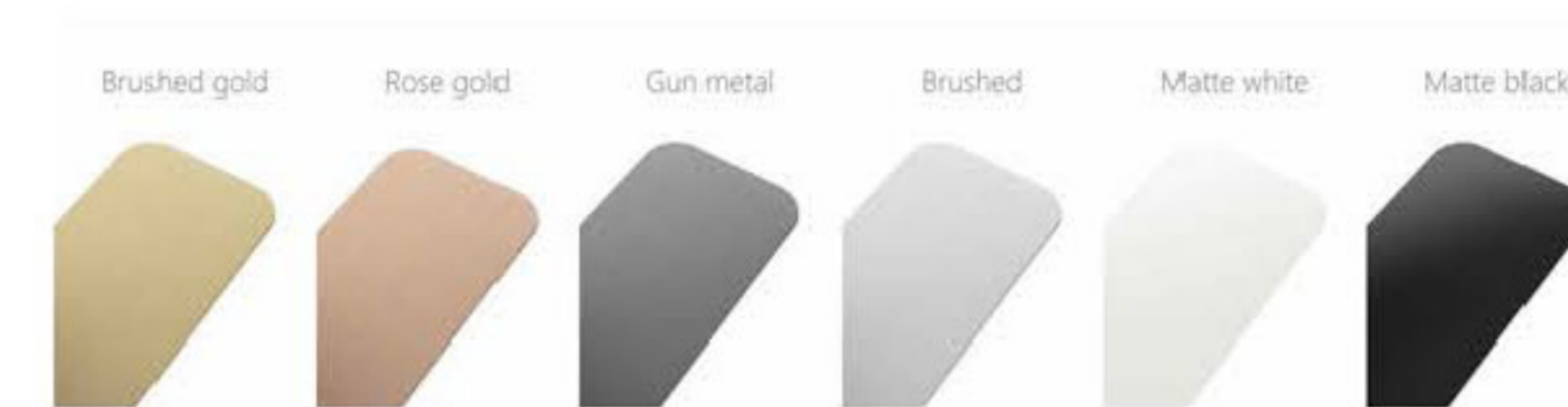


Paper Holder

Order Model: SBX07

Size: 160x160x124mm
Cut hole: 140x140x126mm

High quality 304 stainless steel
1.2mm box base, 1.2mm cover
1pc toilet paper,
Removed core rod
Finish: brushed, mat-black, pearl white
10 years limited warranty

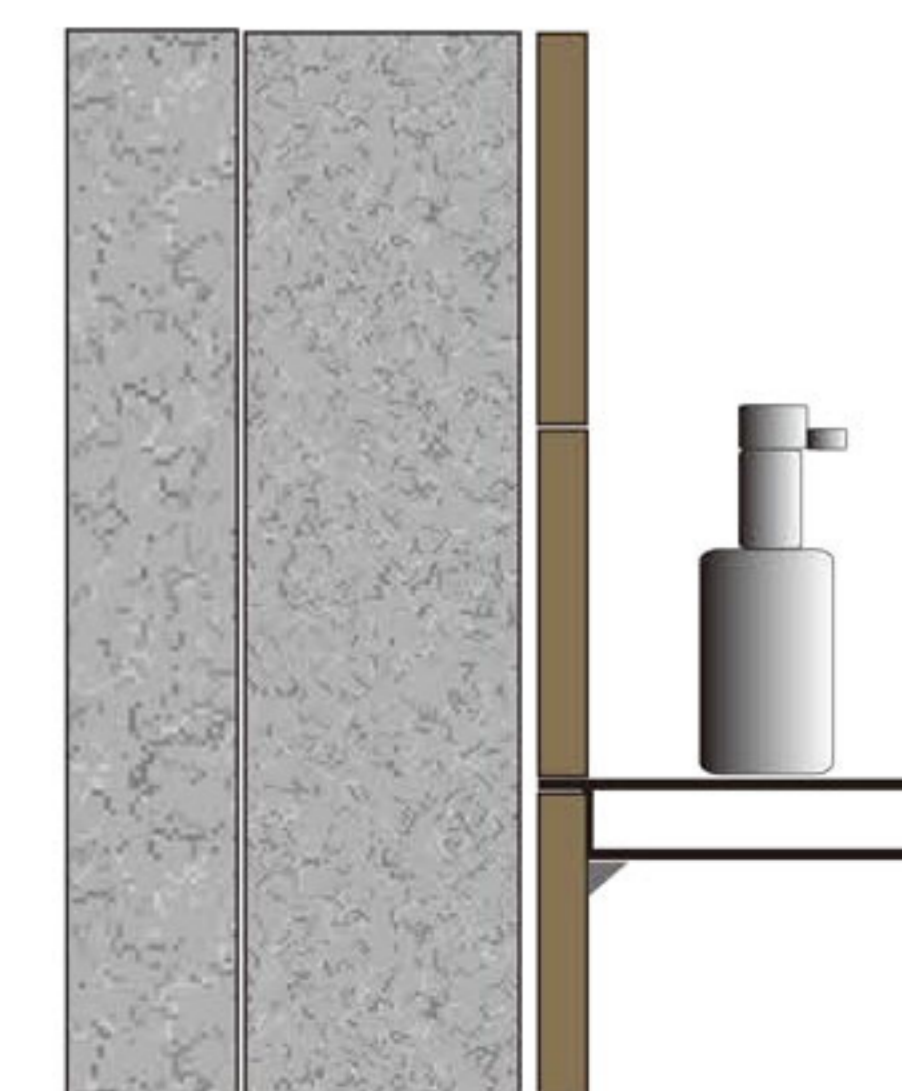
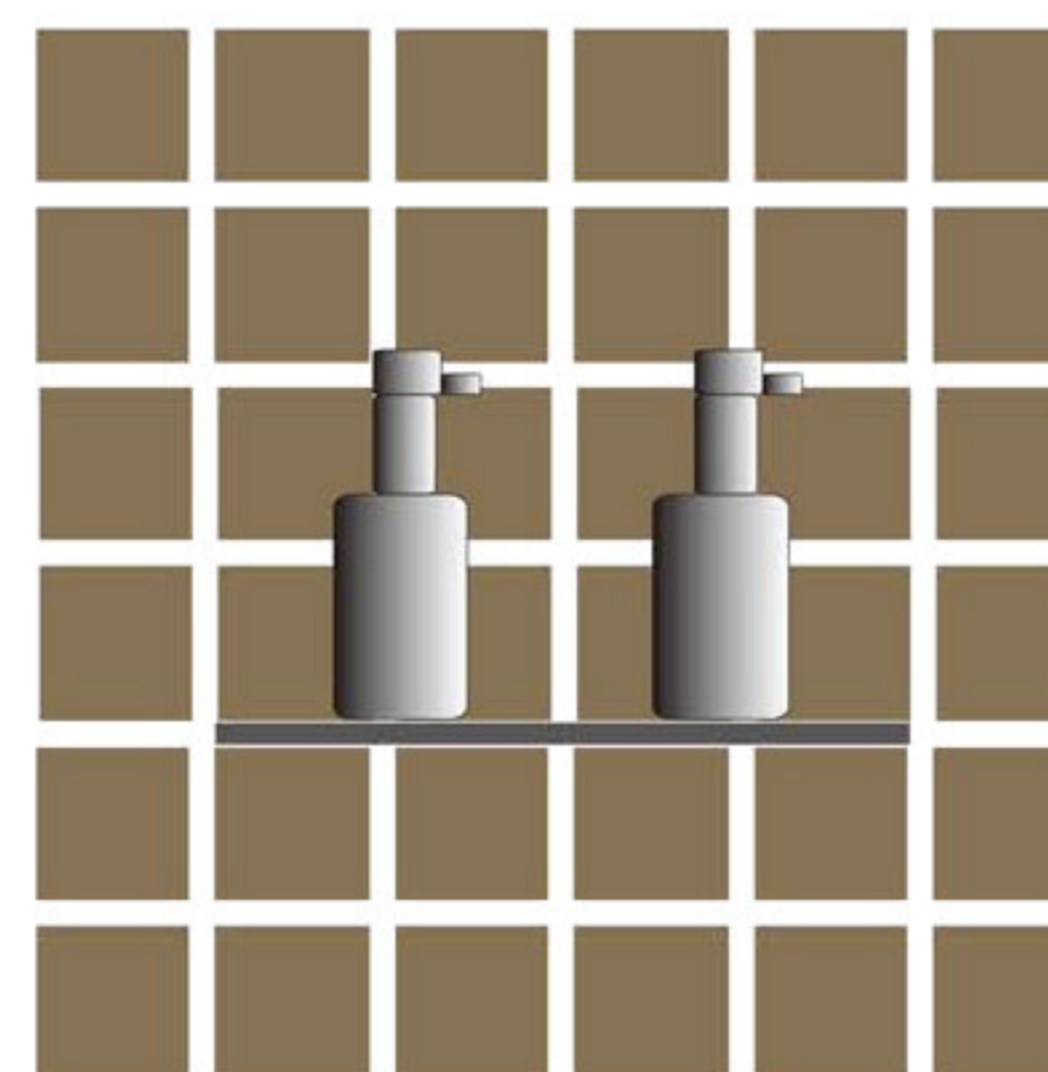
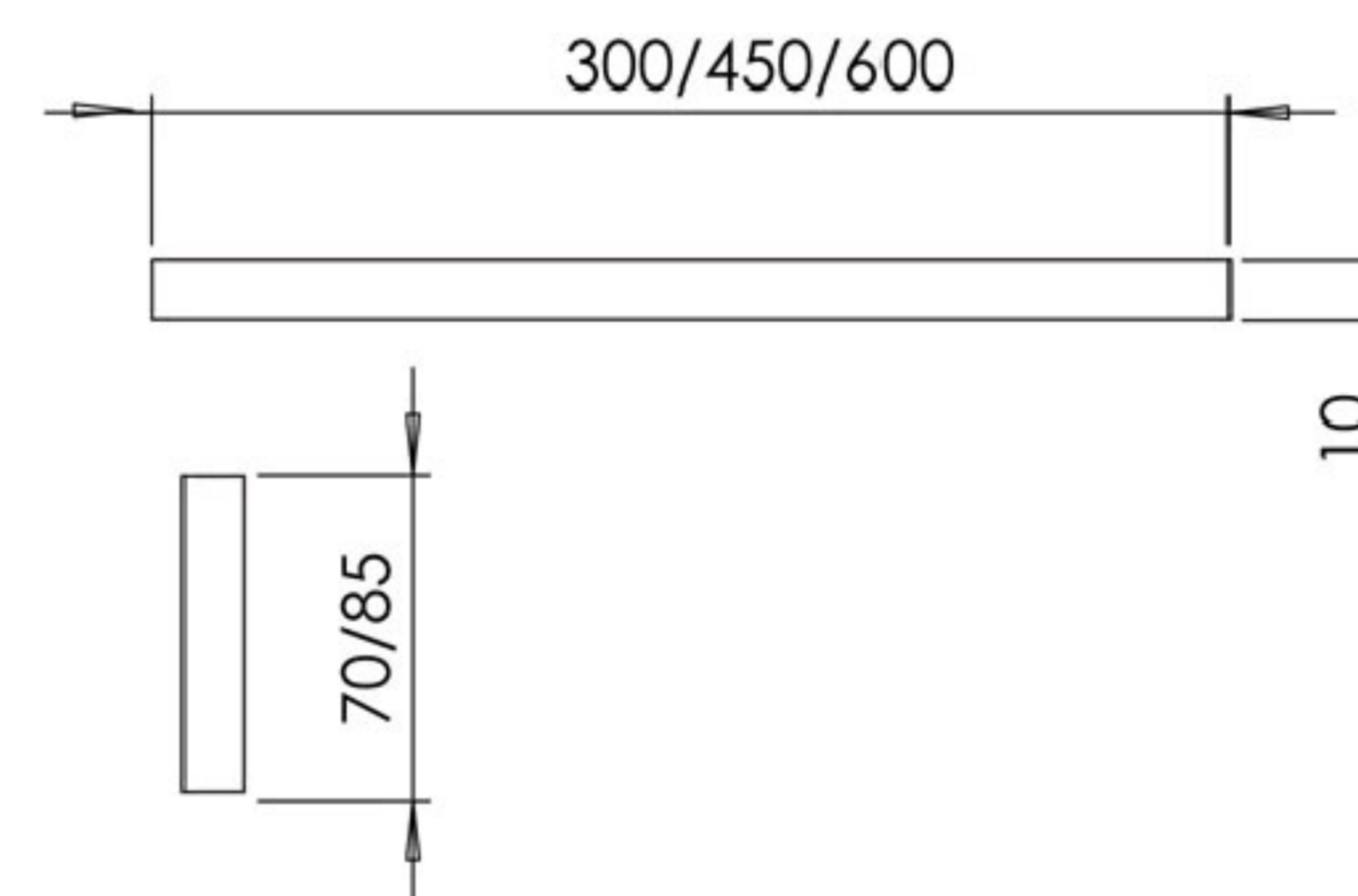
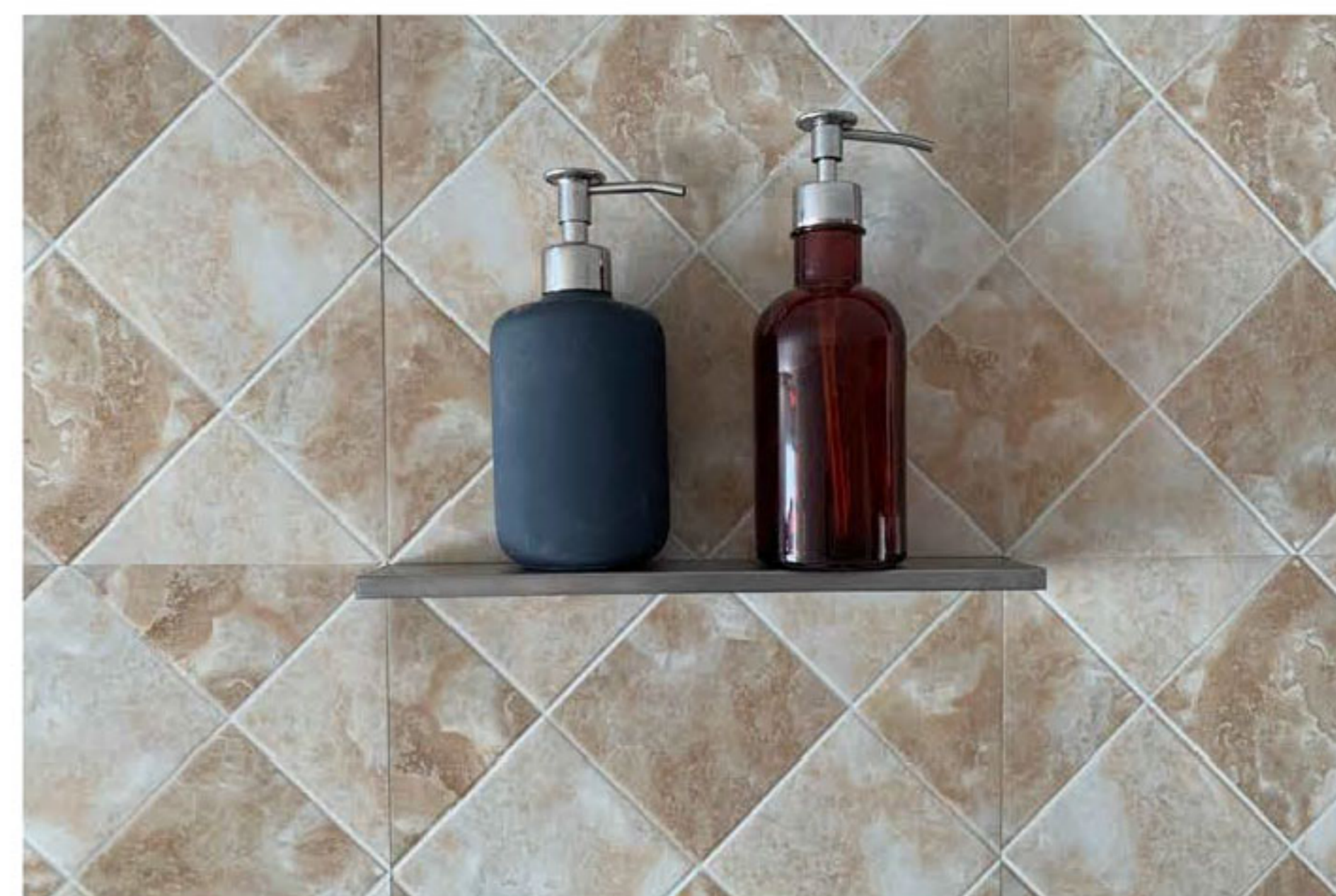
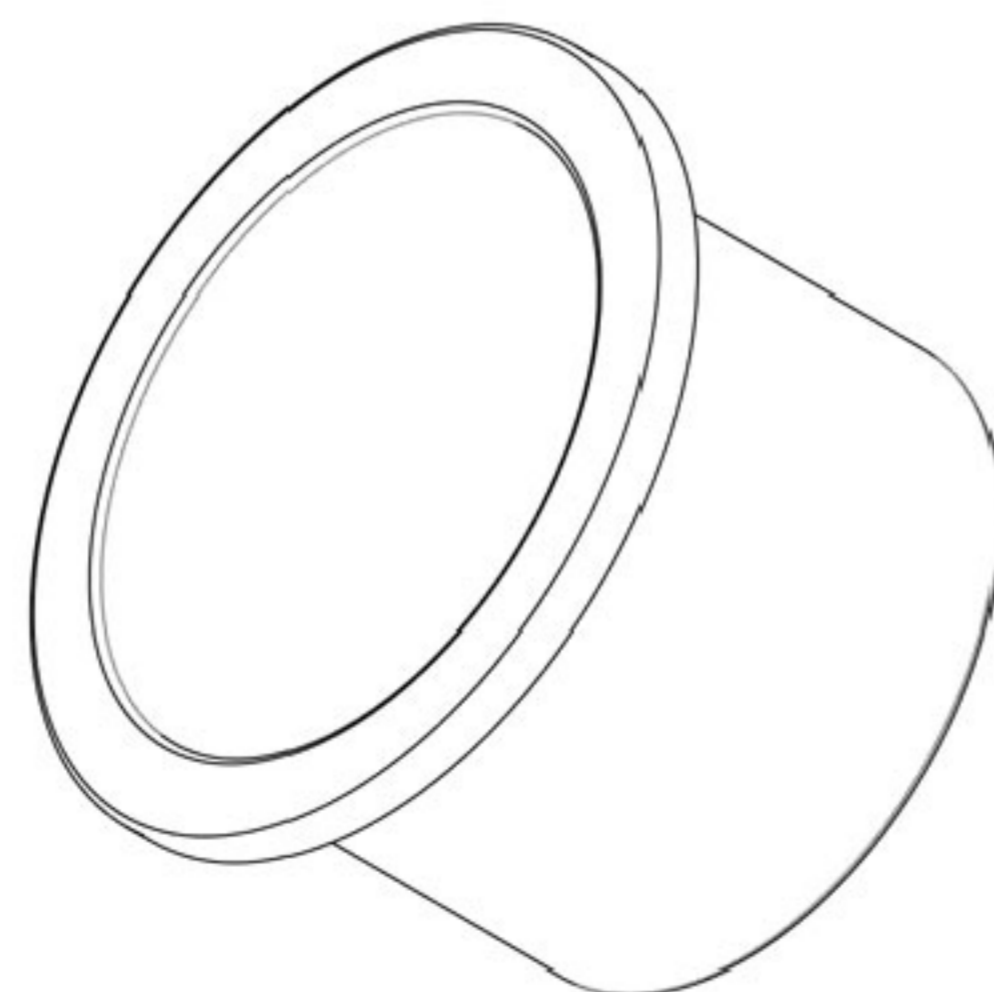
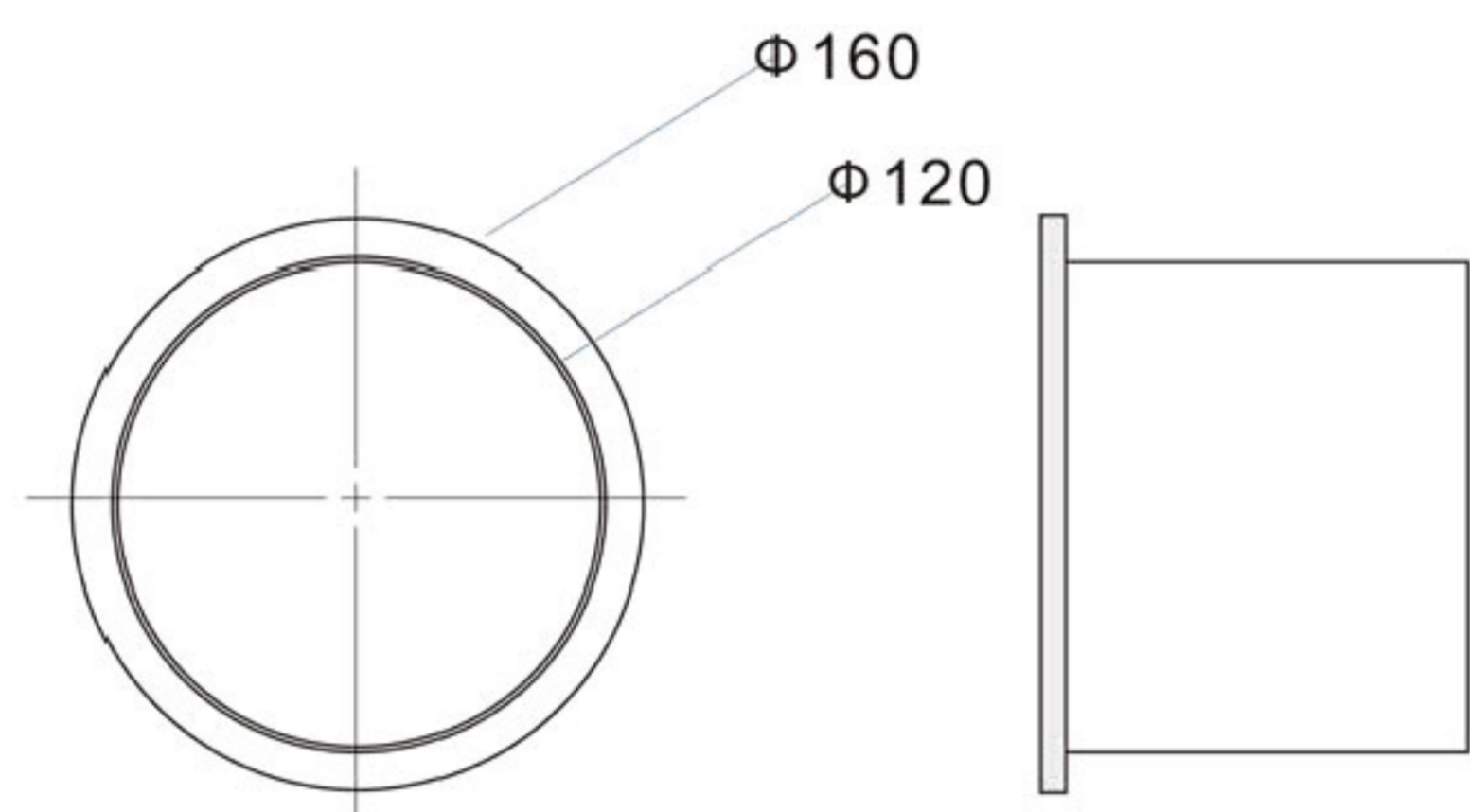


Paper Holder

Order Model: SBX08

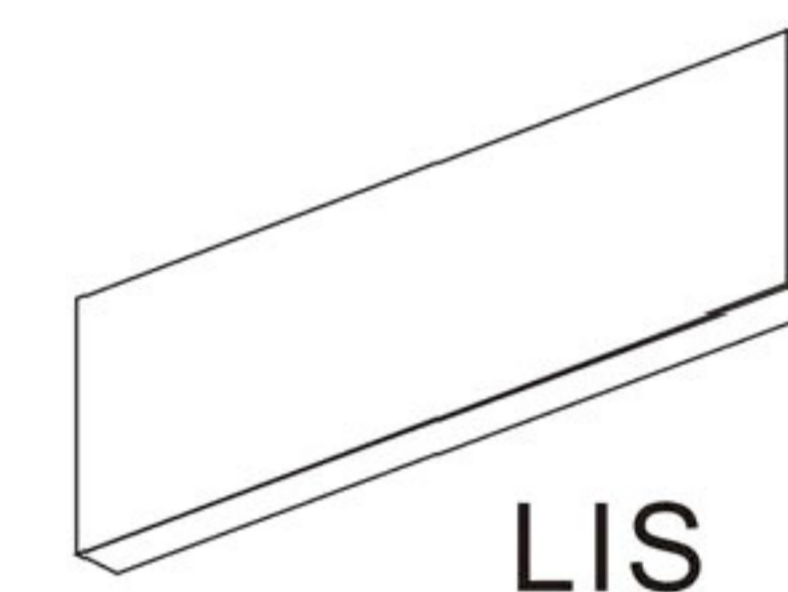
Size: 160x160x124mm
Cut hole: 140x140x126mm

High quality 304 stainless steel
1.2mm box base
Finish: brushed, mat-black, pearl white
10 years limited warranty



Linear shelf

Material: 1.2mm stainless steel 304
Surface: Brushed, polished, White, Matte black,
ORB, Black bronze, Glad and other



Order Model: LIS

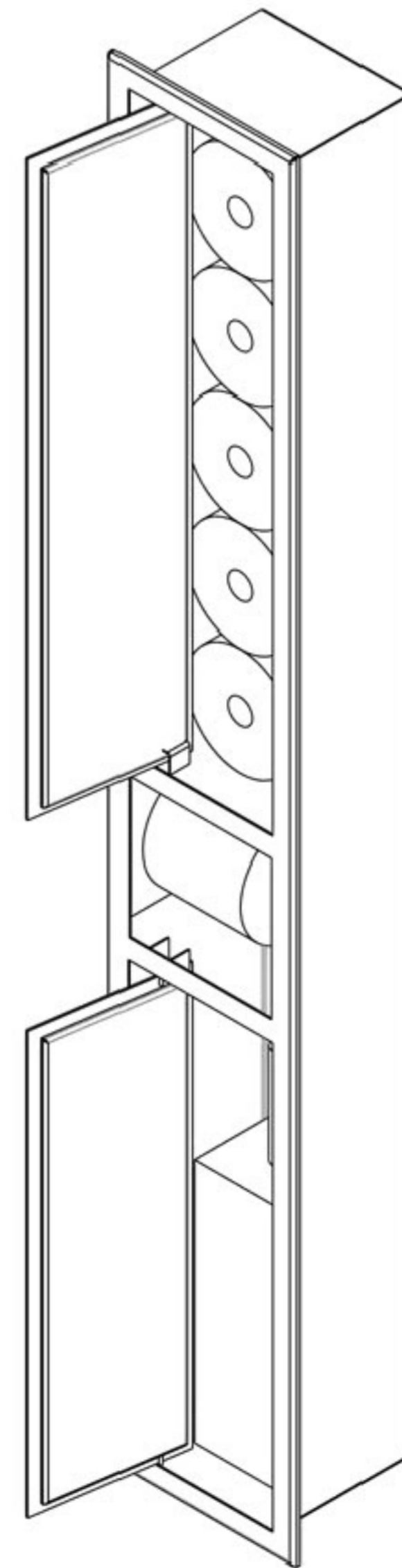
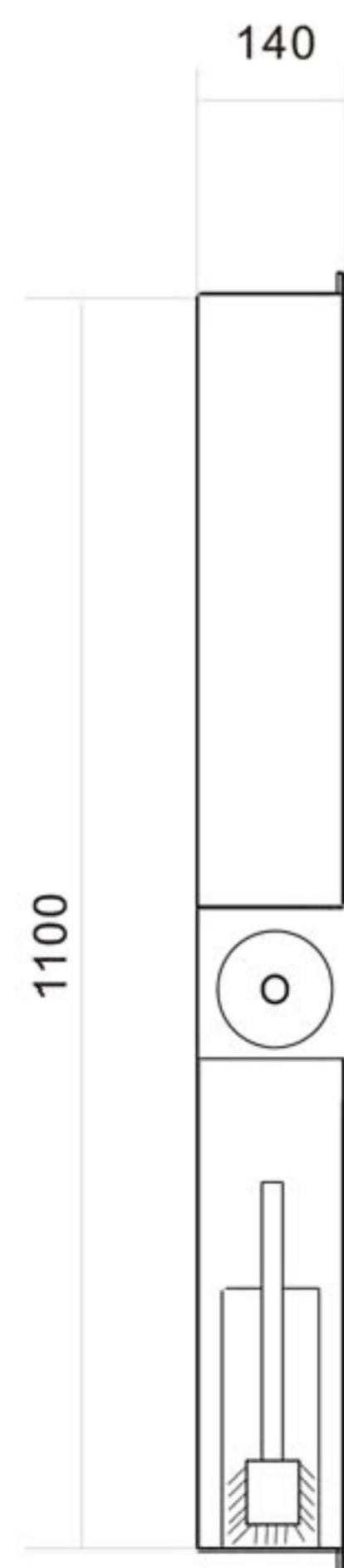
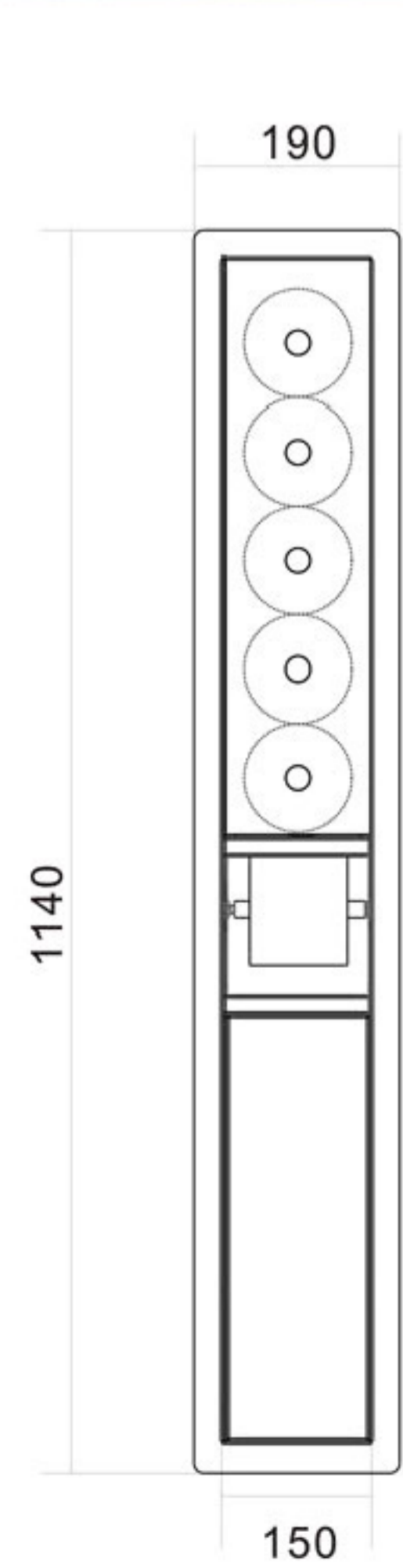
300x70(12") Parts No:LIS-30070	300x85(12") Parts No:LIS-30085
450x70(18") Parts No:LIS-45070	450x85(18") Parts No:LIS-45085
600x70(24") Parts No:LIS-60070	600x85(24") Parts No:LIS-60085



Paper Holder

High quality 304 stainless steel
 1.2mm box base, 1.2mm cover
 6pc toilet paper, toilet brush holder
 Finish: brushed, mat-black, pearl white
 10 years limited warranty

Order Model: SBX09
 Size: 1140x190x140mm
 Cut hole: 1102x152x140mm



Paper Holder

High quality 304 stainless steel
 1.2mm box base, 1.2mm cover
 6pc toilet paper, toilet brush holder
 Finish: brushed, mat-black, pearl white
 10 years limited warranty

Order Model: SBX10
 Size: 1140x190x140mm
 Cut hole: 1102x152x140mm

